

# **USER MANUAL**





# Table of contents

---

<b>For your safety</b> .....	<b>5</b>
Who is this product suitable for? .....	5
How is this product used? .....	5
What should you avoid? .....	5
Misuse .....	5
General safety notes .....	5
Explanation of warning notes .....	6
Overview of symbols on the product .....	6
<b>Register your device</b> .....	<b>7</b>
<b>Getting to know your device</b> .....	<b>8</b>
About Geberit AquaClean devices .....	8
Functional overview.....	8
The device at a glance .....	9
<b>Operating concept</b> .....	<b>11</b>
About the operating concept .....	11
Front side of the remote control .....	11
Rear side of the remote control .....	11
Status LED on the remote control .....	12
Switching the device on and off.....	13
<b>Geberit App</b> .....	<b>14</b>
Checking compatibility.....	14
Downloading the Geberit Home app .....	14
Using the Geberit Home App .....	15
<b>How to use the device</b> .....	<b>16</b>
First steps.....	16
Additional device settings in the Geberit Home app.....	16
Using the anal shower .....	17
Switching the oscillating motion of the anal shower on and off .....	17
<b>Adjusting the shower procedure to your personal needs</b> .....	<b>18</b>
Setting the spray intensity .....	18
Setting the spray arm position.....	18
<b>Cleaning and descaling the device</b> .....	<b>19</b>
Care Instructions .....	19
General cleaning recommendations.....	19
Automatic water replacement .....	19
Targeted disinfection .....	19
Suitable cleaning agents and cleaning equipment .....	20

Care instructions for smooth surfaces .....	21
Care instructions for sanitary ceramic appliances .....	21
Care instructions for WC seat .....	22
Cleaning the WC seat and housing .....	22
Cleaning the spray nozzle .....	23
Replacing the compensation pads .....	24
Descaling the device .....	25
Device descaling message.....	27
<b>Troubleshooting .....</b>	<b>27</b>
Troubleshooting.....	27
The shower toilet is not functioning .....	28
Other functional errors.....	29
The remote control is not functioning .....	30
Replacing the remote control battery .....	31
Re-assigning the remote control .....	31
<b>Sustainability .....</b>	<b>32</b>
Geberit Group and sustainability .....	32
Ecodesign – ecobalance .....	32
Tips for reducing the ecological footprint.....	32
<b>Disposal .....</b>	<b>33</b>
Disposal of waste electrical and electronic equipment.....	33
<b>End user warranty .....</b>	<b>33</b>
<b>Technical data and conformity .....</b>	<b>35</b>
Technical data .....	35
Simplified EU Declaration of Conformity .....	35
Simplified UK Declaration of Conformity .....	35
<b>Contact .....</b>	<b>36</b>
Headquarters.....	36
Europe.....	36
Africa and Middle East .....	40
Asia .....	40
Other countries.....	41

# For your safety

---

## Who is this product suitable for?

The Geberit AquaClean shower toilet can be used by children aged 3 years and up, as well as by persons with reduced physical, sensory or mental capabilities or lack of experience and knowledge, provided that they are under supervision or have been taught how to use the device safely and understand the hazards involved. Children must not play with the device. Children must not carry out cleaning or user maintenance without supervision.

## How is this product used?

The product is suitable for the following application purposes and areas of use:

- as a shower toilet:
  - for cleaning the anal area
- for installation in heated indoor areas
- for connection to the drinking water system
- for operation with water from reverse osmosis systems

## What should you avoid?

The product must be used as intended. Do not:

- leave the WC seat ring during the shower procedure
- place loads or objects on the WC lid
- immerse the remote control in liquid
- operate without plug for Geberit AquaClean descaling agent

## Misuse


Geberit accepts no liability for the consequences arising from misuse.

## General safety notes


The following safety notes apply for the entire duration of the product life cycle:

- Read the user manual before using the product for the first time to familiarise yourself with how it works.
- Be sure to save the user manual for future reference or print it out.
- Do not use the device if it is damaged. If possible, isolate the device from the supply system and contact Geberit customer service.
- Do not open the device. It does not contain any components for the user to service or repair.
- Do not perform any changes or additional installations. Modifying the device runs the risk of danger of death.
- Repairs may only be carried out by authorised skilled persons using original spare parts.
- Only original accessories may be used.
- Operation and maintenance work may only be performed by the operator or user as described in this user manual.
- Always use the current version of the installation manual for installing the device if the Geberit AquaClean has been removed (e.g. if you move house).
- The Geberit AquaClean must only be connected to a mains voltage conforming to the specification plate.
- Observe the manufacturer information at all times regarding the use of cleaning and descaling agents.

---

 This document contains warning notes at various points. Warning notes are usage and situation-specific safety notes. They provide warnings on specific hazards.

---


 These instructions correspond to the state of the device technology at the time of publication. Geberit reserves the right to make changes in terms of further development.

A current version of this and other documents is available online: <http://catalog.geberit.com>.



## Explanation of warning notes

Warning notes are placed at the location at which the hazard may occur.



Warning notes are structured as follows:

- 
-  **WARNING**  
**Nature and source of the hazard**  
Possible consequences if the hazard is ignored.
- ▶ Measures to prevent the hazard.

The following signal words are used to indicate residual hazards in warning notes and important information.

Symbol	Signal word and meaning
	<b>DANGER</b> The signal word denotes a hazard with a high degree of risk which, if not avoided, will result in death or serious injury.
	<b>ATTENTION</b> The signal word denotes a hazard, which, if not avoided, may result in material damage.
	Symbol only. Refers to important information.

## Overview of symbols on the product

Symbol	Meaning
	Read the safety notes and operating instructions/operation manual before commissioning the product.
	Danger of fatal electric shock

# Register your device

---

## Warranty registration

Extend the warranty period of your Geberit AquaClean for free. Register for this within 90 days from the installation date.



In the third year of the warranty period, Geberit shall supply spare parts free of charge in the event of any material or manufacturing faults, provided the product has been installed and put into operation by an installation company.

By web link:

<https://www.geberit-aquaclean.com/landing-pages/onboarding>

By smartphone or tablet:



Android:



iOS:



Via the Geberit Home app:

# Getting to know your device

---

## About Geberit AquaClean devices

The Geberit AquaClean device is a WC with integrated shower function. The device also fulfils all the functions of a conventional WC. Additional functions are subject to the design of your product.

## Functional overview

Hygiene functions:

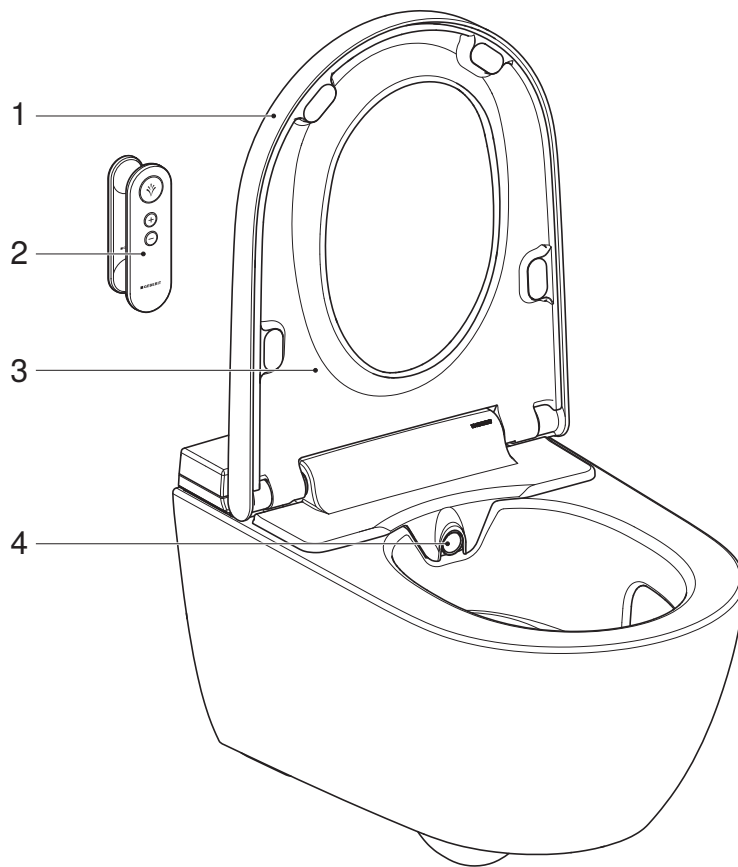
- TurboFlush technology
- WhirlSpray shower technology
- Spray arm with oscillating motion
- Automatic spray nozzle cleaning before and after each shower procedure
- Descaling programme

Comfort functions:

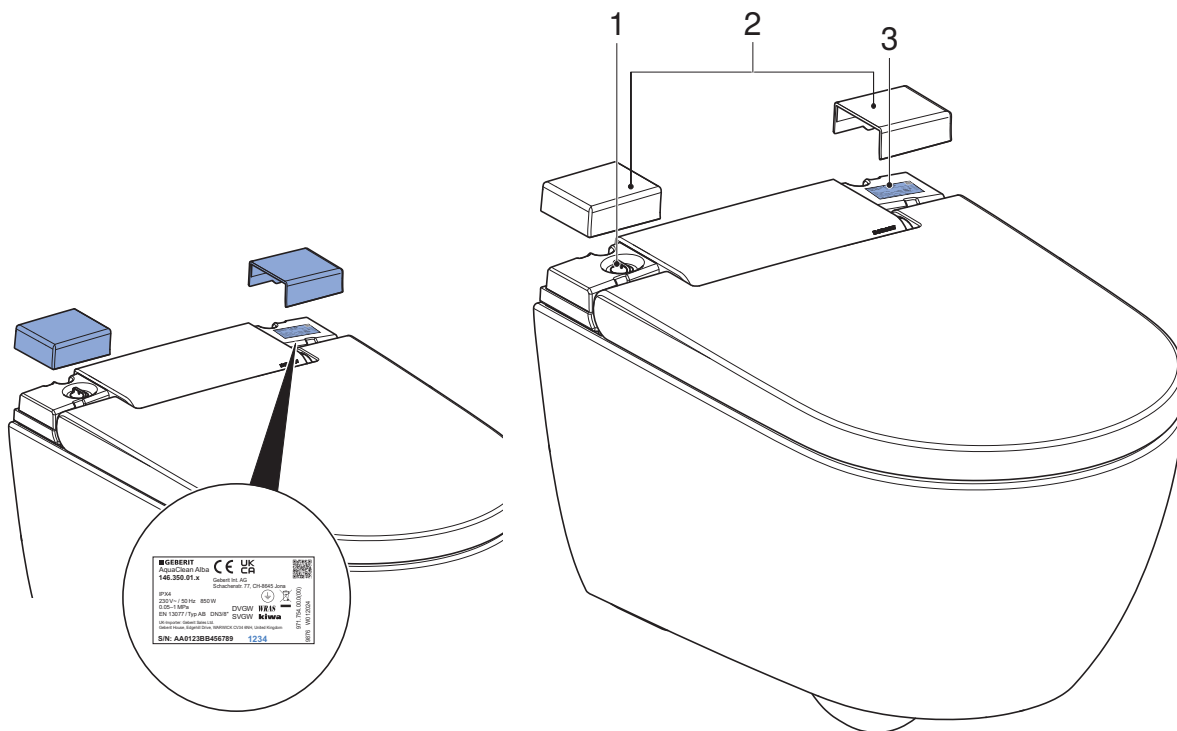
- Adjustable spray intensity
- WC seat ring and WC lid with SoftClosing
- Remote control



## The device at a glance



- 1 WC lid
- 2 Remote control with wall-mounted holder
- 3 WC seat ring
- 4 Spray arm with spray nozzle



- 1 Filling opening with plug for Geberit AquaClean descaling agent
- 2 Design covers
- 3 Specification plate with serial number and pairing secret for connection with the Geberit Home app

Some components and the consumables listed below can be ordered directly via the Geberit Home app, the Geberit spare parts catalogue or via the Geberit Web Shop.

Consumables	Information
Geberit AquaClean cleaning set	Art. no. 242.547.00.1
Geberit AquaClean descaling agent	Art. no. 147.040.00.1
Geberit AquaClean descaling agent set (4 pcs)	Art. no. 147.047.00.1
Geberit AquaClean descaling agent set (10 pcs)	Art. no. 147.048.00.1

# Operating concept

---

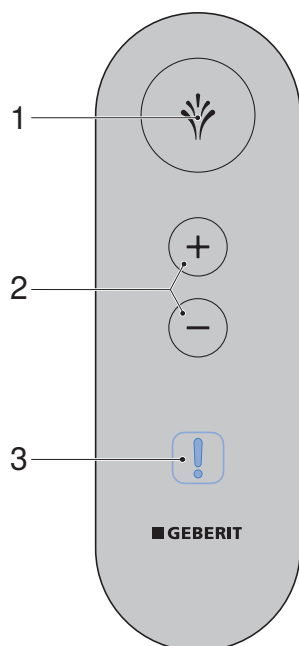
## About the operating concept

The shower toilet can be operated via remote control or the Geberit Home App.

**i** The remote control function of the Geberit AquaClean shower toilet is deactivated while the shower toilet is connected to the Geberit Home App.

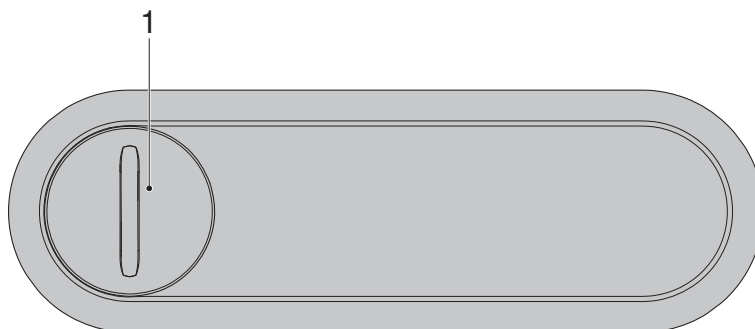
## Front side of the remote control

All functions for daily use can be operated from the front side of the remote control.



- 1 <Shower> button: start and stop the spray functionality.
- 2 <+>/<-> buttons: increase or decrease the spray intensity.  
<+> and <-> buttons: start and stop the oscillating motion during the anal shower.
- 3 Status LED (only visible if required)

## Rear side of the remote control



- 1 Battery compartment

## Status LED on the remote control

When a button is pressed, the LED on the remote control indicates the current device status.

LED	Description
Flashes blue	<ul style="list-style-type: none"><li>• Pairing in progress. → See "Re-assigning the remote control", page 31.</li><li>• The device is initialising. → See "Switching the device on and off", page 13.</li></ul>
Lights up green briefly	Pairing successful.
Flashes blue/red	The device must be descaled. → See "Descaling the device", page 25.
Flashes red	<p>A malfunction message is pending.</p> <ul style="list-style-type: none"><li>▶ Switch the device off and on. → See "Switching the device on and off", page 13.</li><li>▶ Replace the battery.</li><li>▶ Contact customer service.</li></ul>
Flashes orange	<ul style="list-style-type: none"><li>• The device is now descaling. It is not possible to use the shower toilet for the duration of the descaling procedure.</li><li>• The spray arm is being cleaned. The spray arm is extended.</li><li>• Water replacement is being carried out. → See "Automatic water replacement", page 19.</li></ul>

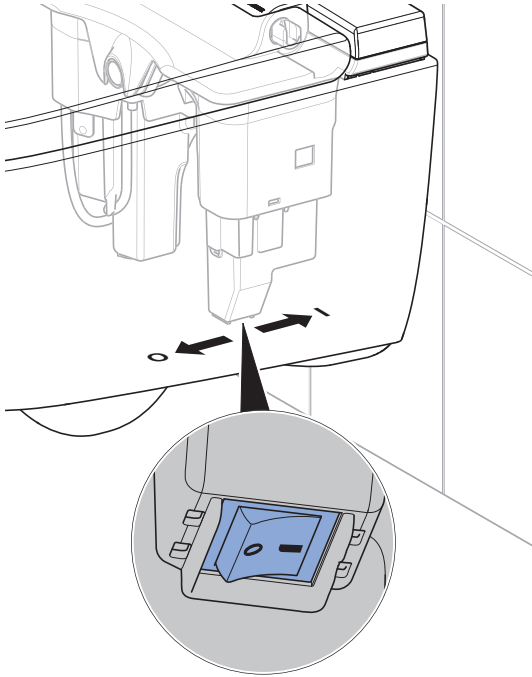
## Switching the device on and off

---

**i** Wait at least 30 seconds between the switch-off and switch-on procedures.

---

▶ Press the power switch.



---

### Result

✓ The device initialises again after switching on.

# Geberit App

---

## Checking compatibility

To ensure you can use the Geberit App to its full extent, you will need a smartphone with an up-to-date Android or iOS version. You may need to check the permissions (Bluetooth®, location sharing) and confirm them.

## Downloading the Geberit Home app

Download the Geberit Home app free of charge from the respective App-Store:

- 1** Open the App-Store on your smartphone.
- 2** Enter 'Geberit Home' in the search field.  
✓ The Geberit Home app is displayed.



- 3** Download the app.  
✓ The app is downloaded and displayed on your smartphone.

Alternatively, you can scan the respective QR code to download the Geberit Home app:

[Android:](#)




[iOS:](#)




## Using the Geberit Home App

The Geberit Home app communicates via a Bluetooth® interface with the Geberit AquaClean shower toilet.

---

 The remote control function of the Geberit AquaClean shower toilet is deactivated while the shower toilet is connected to the Geberit Home App.

---

 Please note that your device may not offer remote control or individual functions may not be available. The functions and settings in the Geberit Home app vary depending on the device and region and are marked with (optional) where appropriate.

You can execute the following functions and settings via the Geberit Home app:

- Remote control
  - Use remote control functions
  - Adjust and save personal settings (optional)
- Device settings
  - Adjust and save basic settings
- Geberit customer service (optional)
  - Contact Geberit customer service
  - Make use of Geberit AquaClean remote maintenance
- Geberit services (optional)
  - Register the device
  - Extend warranty services
- Software update
  - Update the firmware
- Step-by-step instructions
  - Clean the spray nozzle and dryer arm (optional)
  - Carry out descaling
  - Replace the ceramic honeycomb filter (optional)

You can access the following information via the Geberit Home app:

- Explanatory films (optional)
  - Play function videos
  - Play maintenance and cleaning videos
- Troubleshooting
  - Display error messages
- User manual
  - Display the user manual

# How to use the device

---

## First steps

When using the device, the following functions should take place.

When you sit down on the WC seat ring,

- the water heating starts.
- the device enables the spray functionality.
- the basic settings are activated automatically.

When you start the shower procedure,

- the anal shower procedure will run for 20 seconds.
- the shower procedure can be interrupted at any time.
- the shower procedure can be adapted to your personal requirements.

When you get up from the WC seat ring,

- the spray functionality deactivates.
- the spray nozzle is rinsed thoroughly.
- the device is set to economy mode.

## Additional device settings in the Geberit Home app

Setting	Adjustment range	Factory setting of basic profile
Spray arm position of the anal shower	Position 1–5	Position 3
Oscillating function of the spray arm on the anal shower	On/off	On
Shower water heating	On/off	On
Shower water temperature	Position 1–5	Position 3

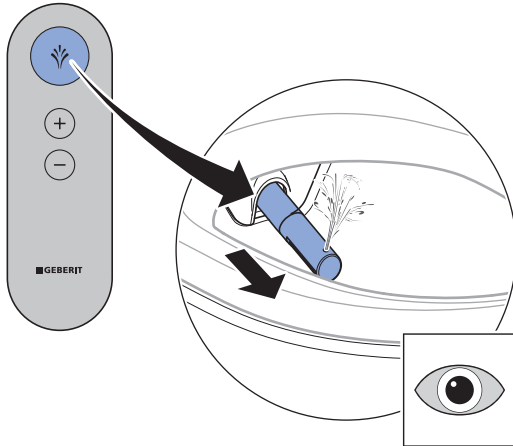


## Using the anal shower

### Prerequisite

- You are sitting on the WC seat ring.

- ▶ Briefly press the <Shower> button on the remote control.



### Result

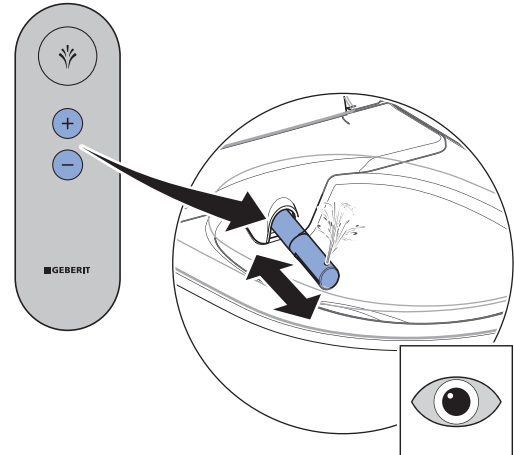
- ✓ The shower procedure starts with the oscillating motion.

- i** You can stop the shower procedure early by pressing the <Shower> button once again.

## Switching the oscillating motion of the anal shower on and off

- i** The oscillating motion of the spray arm increases the cleaning effect.

- ▶ The oscillating motion can be switched on and off by pressing the <+> and <-> buttons at the same time.



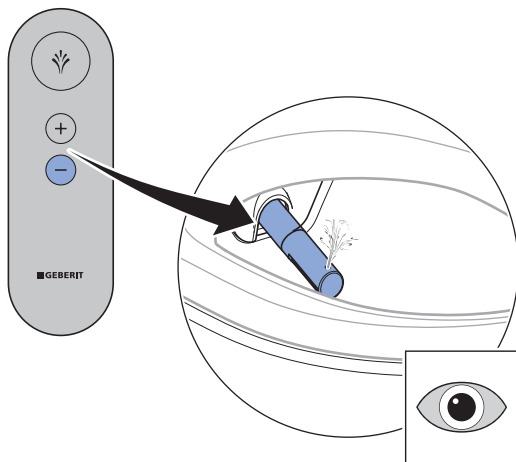
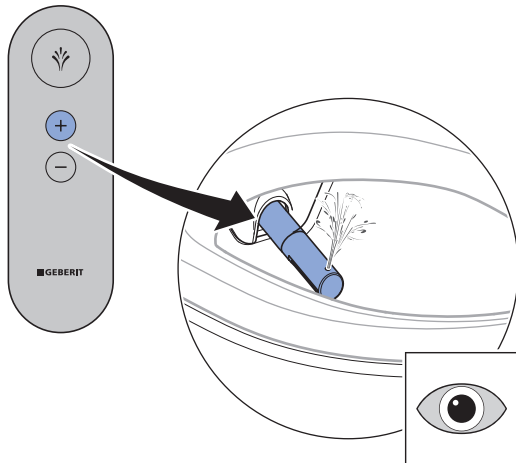
# Adjusting the shower procedure to your personal needs

## Setting the spray intensity

### Prerequisite

- The shower procedure is running.

- ▶ Press the <+> button to increase the spray intensity. Press the <-> button to decrease the spray intensity.



### Result

- ✓ The shower spray becomes stronger/weaker.

- i** You can set the spray intensity in 5 stages.

## Setting the spray arm position

- i** Female users should set the spray arm position of the spray functionality to their ergonomic conditions so that it does not compromise the natural protection of the vaginal area.

### Prerequisite

- The shower procedure is running.

- ▶ Use the Geberit Home app to position the spray arm.

### Result

- ✓ The spray arm is optimally positioned.

- i** You can set the spray arm position in 5 stages.

# Cleaning and descaling the device

## Care Instructions

You have selected a product with a high-grade surface. Please follow the care instructions below.

The manufacturer does not assume any liability for product damage that arises as a result of incorrect care and handling.

## General cleaning recommendations

Cleaning the shower toilet at the recommended cleaning intervals will ensure that it functions properly. The shower toilet must only be cleaned using suitable cleaning agents and cleaning equipment. → See "Suitable cleaning agents and cleaning equipment", page 20.

Cleaning interval	Cleaning activity
Daily	▶ Remove water drops with a soft, lint-free cloth to avoid limescale stains.
Weekly	<ul style="list-style-type: none"><li>▶ Clean the WC ceramic appliance with Geberit AquaClean cleaning agent. → See "Suitable cleaning agents and cleaning equipment", page 20.</li><li>▶ Clean all surfaces and corners thoroughly. → See "Care instructions for WC seat", page 22.</li><li>▶ Test the spray nozzle and clean if required. → See "Cleaning the spray nozzle", page 23.</li><li>▶ Rinse the spray nozzle under running water to remove foreign substances.</li></ul>

## Automatic water replacement

The device is flushed with fresh water for 10 seconds after switching on. This ensures optimum shower water quality before usage.

## Targeted disinfection

Disinfection is only required if there is a definite risk of infection as a result of germs. Otherwise, keep to the recommended cleaning intervals and carry out the specified cleaning activities. → See "General cleaning recommendations".

### ATTENTION

#### Aggressive disinfectants

Disinfection using aggressive disinfectants can cause surface damage.

- ▶ Only use alcohol-based disinfectants that are also suitable for hand and skin disinfection.
- ▶ Observe the safety notes from the manufacturer when handling hazardous substances.

Type of disinfection	Disinfection procedure
<b>Wet wipe disinfection</b> For use on smooth surfaces that can be rubbed	<ul style="list-style-type: none"><li>▶ Moisten all surfaces with disinfectant.</li><li>▶ Allow the disinfectant to take effect according to the manufacturer information.</li><li>▶ Then rub the surfaces with single-use towels.</li></ul>

## Suitable cleaning agents and cleaning equipment

### ATTENTION

#### Aggressive descaling agents

Unsuitable descaling agents may cause damage to the device.

- ▶ Only use Geberit AquaClean descaling agents to descale the device.
- ▶ Refer to the “Descaling the device” section.

### ATTENTION






#### Aggressive and scouring cleaning agents




Cleaning using aggressive and scouring cleaning agents can cause surface damage.

- ▶ Use Geberit AquaClean cleaning agents.
- ▶ Pay attention to the cleaning and care instructions.

Using the Geberit AquaClean cleaning set is recommended, as this set includes a ready-made cleaning agent that is ideal for cleaning all Geberit AquaClean surfaces.

Recommended properties of suitable cleaning agents and cleaning equipment for best cleaning results:

Symbol	Properties of suitable cleaning agents
	Skin-friendly
	Cleaning agents are permitted to have a low acid content, e.g. diluted citric acid
	Low-foaming
	Liquid
	Water-dilutable

Symbol	Suitable cleaning equipment
	Soft, fine-pored sponges
	Lint-free, soft cloths which are free of dust
	Toilet brush

## Care instructions for smooth surfaces

All smooth surfaces can be cleaned hygienically with water and a mild, liquid cleaning agent that is kind to the skin.



Aggressive and scouring cleaning agents can damage the surface. Only use mild, liquid cleaning agents that are kind to the skin. The Geberit AquaClean cleaning set (art. no. 242.547.00.1) includes a ready-made cleaning agent that is optimal for cleaning all Geberit AquaClean surfaces.

## Care instructions for sanitary ceramic appliances

- Use standard cleaning agents only in compliance with the respective manufacturer's information.
- Ensure that the seat of the ceramic appliance or the WC lid is opened or dismantled during the application time of cleaning agents.
- Only use cleaning agents containing chlorine or ones that are abrasive or scouring in the case of heavy deposits.
- Never use sharp or pointed objects when cleaning.

Dirt	Care measures
For daily cleaning	<ul style="list-style-type: none"> <li>▶ Use mild liquid cleaning agents and water.</li> <li>▶ Dry the surface with a soft, lint-free cloth.</li> </ul>
Stubborn stains	<ul style="list-style-type: none"> <li>▶ Generally speaking, use cleaning agents suitable for ceramic appliances or a mild scouring liquid.</li> <li>▶ Remove existing limescale deposits using a mild cleaner containing vinegar.</li> <li>▶ Clean the surface with water.</li> <li>▶ Dry the surface with a soft, lint-free cloth.</li> </ul>
With heavy deposits	<p>Organic deposits (brown to black in colour):</p> <ul style="list-style-type: none"> <li>▶ Clean the affected areas with a standard chlorine cleaner. Note the information provided by the cleaning agent manufacturer. The application time of the chlorine cleaner may not exceed 2 h.</li> <li>▶ Clean the surface with water.</li> <li>▶ Dry the surface with a soft, lint-free cloth.</li> </ul> <p>Silicate deposits (grey in colour):</p> <ul style="list-style-type: none"> <li>▶ Moisten a microfibre cloth with standard ceramic glass cleaner.</li> <li>▶ Clean the affected areas with in a circular motion. Silicate deposits are very resistant, which means that several cleaning cycles may be required.</li> <li>▶ Clean the surface with water.</li> <li>▶ Dry the surface with a soft, lint-free cloth.</li> </ul>

## Care instructions for WC seat

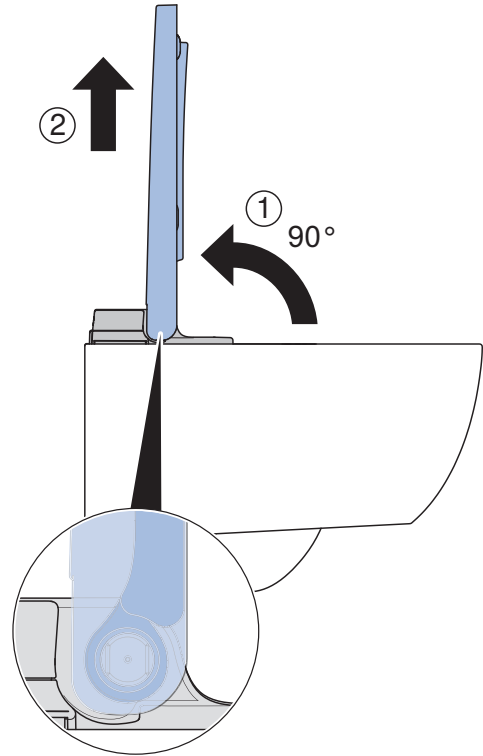
Please note the following when cleaning the WC seat:

- Ensure that the WC seat is opened or dismantled during the application time of cleaning agents.
- Never use cleaning agents that contain chlorine or acid or that are corrosive.
- Never use cleaning agents that are abrasive or may scratch the surface.
- Never use sharp or pointed objects when cleaning.
- Use mild liquid cleaning agents and water.
- Use a soft, lint-free cloth.
- Remove any substances containing solvents immediately.

## Cleaning the WC seat and housing

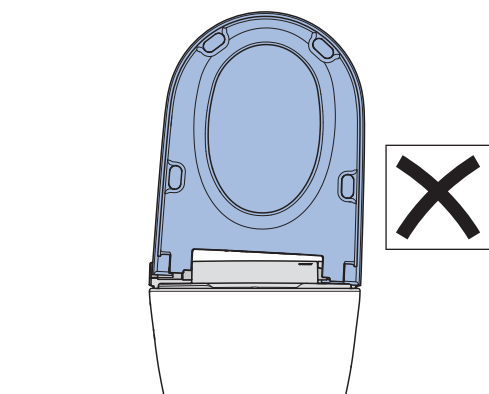
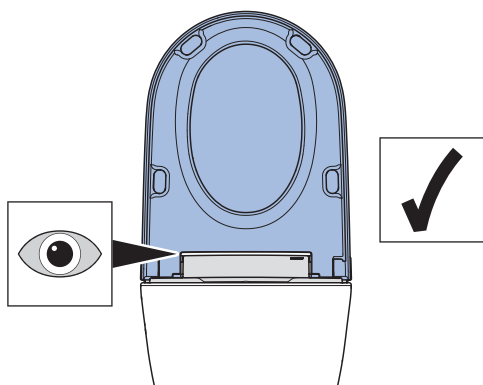
**i** Be careful not to scratch the surface of the WC seat. Always place the components on a soft, non-scratching underlay.

- 1** Lift the WC seat and remove it from the hinges at a right angle (90°).  
✓ The WC seat is very easy to remove at the correct angle.



- 2** Spray the surfaces with Geberit AquaClean cleaning agent.
- 3** Wipe the surfaces with a soft, lint-free, damp cloth.
- 4** Then dry the surfaces with a soft, lint-free cloth.
- 5** Insert the WC seat into the hinges at a right angle (90°).

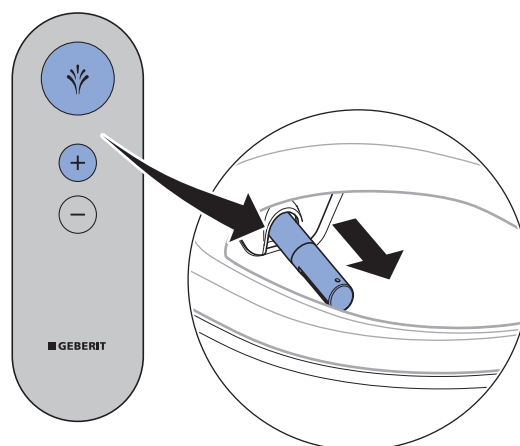
- ✓ The WC seat must be positioned vertically relative to the ceramic appliance.



## Cleaning the spray nozzle

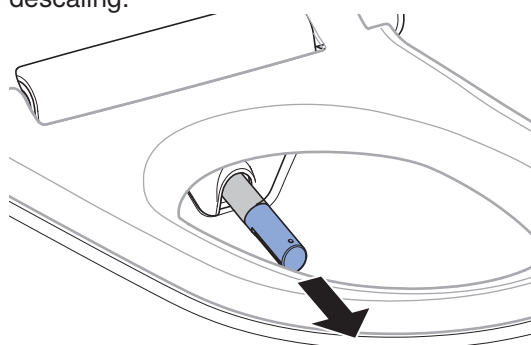
- i**
- For cleaning, use a soft, lint-free cloth.
  - Geberit AquaClean cleaning agent is particularly suitable for all surfaces of the device.

- 1** Open the WC lid.
- 2** Lift the WC seat ring.
- 3** Press the <Shower> and <+> buttons on the remote control at the same time to extend the spray arm.



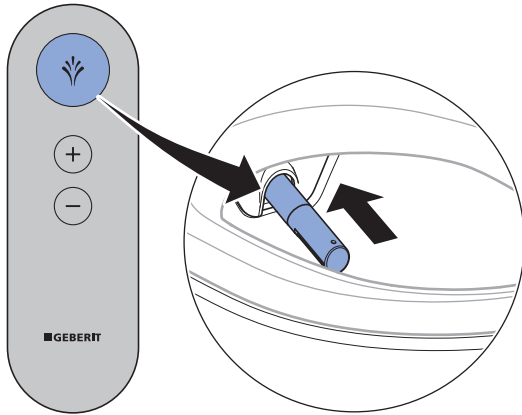
- ✓ The spray arm extends fully.

- 4** Pull out the spray nozzle for cleaning and descaling.



- 5** Spray the spray nozzle with Geberit AquaClean cleaning agent. Then rinse the spray nozzle with water.
- 6** Replace the spray nozzle if it can no longer be completely cleaned and descaled.
- 7** Dry the spray nozzle carefully before re-assembling and re-fitting.

- 8** Press the <Shower> button on the remote control to retract the spray arm.



✓ The spray arm retracts fully.

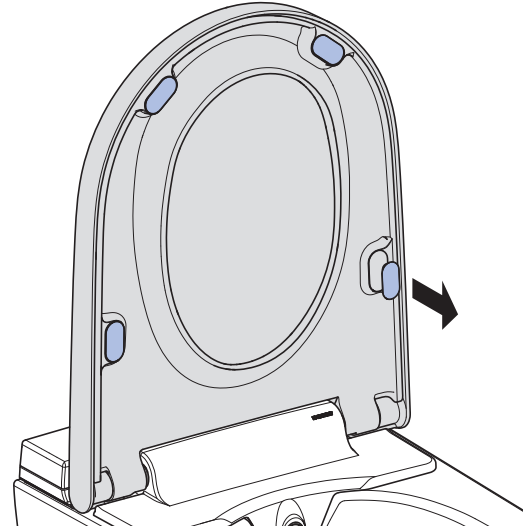
**Result**

✓ The cleaning procedure is now complete.

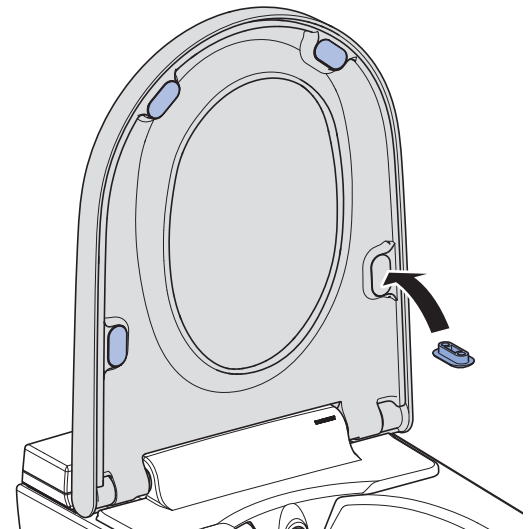
## Replacing the compensation pads

**i** The shower toilet can be damaged if the compensation pads do not lie evenly on the WC ceramic appliance.

- 1** Lift up the WC lid and the WC seat ring.
- 2** Remove the damaged compensation pads.



- 3** Insert suitable compensation pads.



**Result**

✓ The compensation pads are lying evenly on the WC ceramic appliance.



## Descaling the device

Information on descaling:

- During the descaling procedure, you can continue to use the device without the shower toilet functions.
- The descaling procedure lasts up to 40 minutes. During this time, the LED flashes orange when a button is pressed and the descaling status can be checked via smartphone. As soon as the status LED stops flashing orange when a button is pressed, the spray functionality is ready for operation again.

### ATTENTION

#### Aggressive descaling agents

Unsuitable descaling agents may cause damage to the device.

- ▶ Only use Geberit AquaClean descaling agents to descale the device.
- ▶ Refer to the “Descaling the device” section.



The descaling procedure should not be cancelled after adding the descaling agent because it would otherwise be flushed away unused.



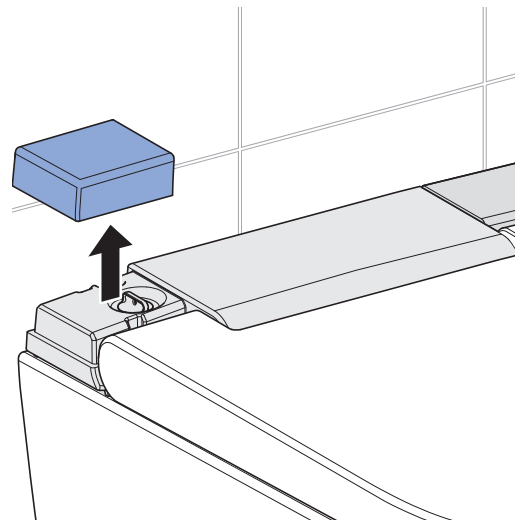
The water level in the water heater is not automatically reduced during a self-initiated descaling process without prompting from the device. A small amount of water may enter the ceramic opening while pouring in the descaling agent.

#### Prerequisite

- The status LED on the remote control flashes blue/red when a button is pressed.
- The Geberit Home app displays a warning sign for [Care and maintenance] and [Descaling].
- The spray arm must be fully retracted.
- The WC lid is closed.

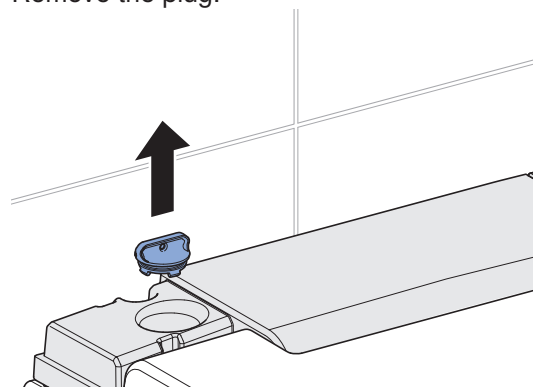
1

Remove the left-hand design cover.



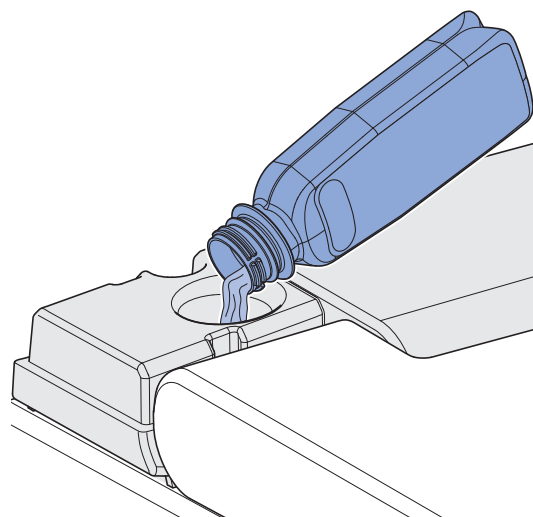
2

Remove the plug.

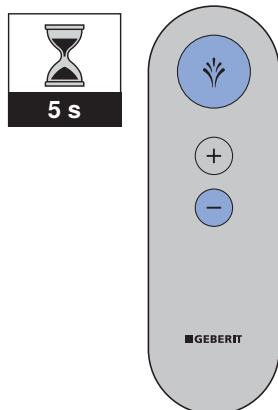


3

Pour a bottle (125 ml) of Geberit AquaClean descaling agent into the filling opening.

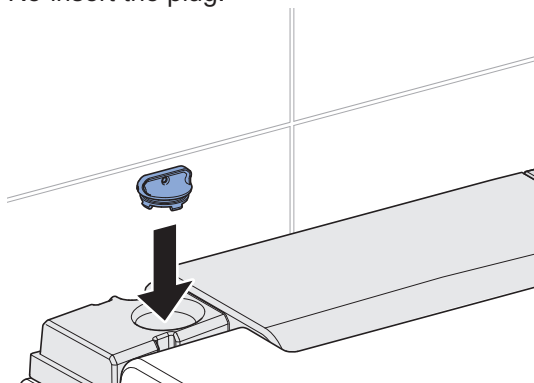


- 4** Press the buttons <Shower> and <-> simultaneously for 5 seconds to start the descaling process or use the Geberit Home app and navigate to [Care and maintenance] > [Descaling].



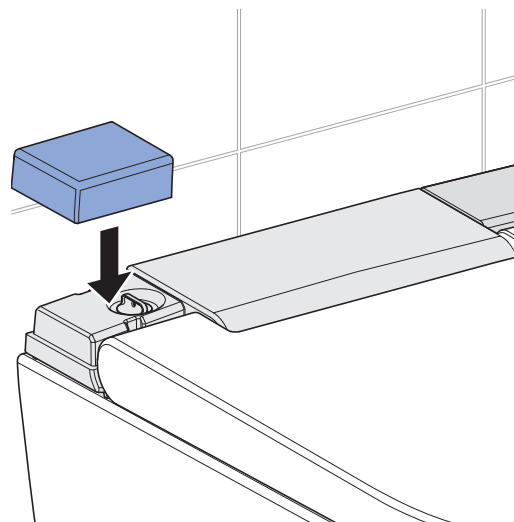
- ✓ The status LED on the remote control flashes orange when a button is pressed and goes out after 10 seconds. As soon as the status LED stops flashing orange when a button is pressed, the descaling process is complete.

- 5** Re-insert the plug.



- 6** Remove splashes of descaling agent immediately with a damp cloth.

- 7** Close the left-hand design cover.



## Device descaling message

The following table helps you to identify descaling messages and to carry out the necessary fault clearance for each message.

Frequency	Message	Fault clearance
Regular descaling: At least once a year	<ul style="list-style-type: none"> <li>• The remote control LED flashes blue/red.</li> <li>• The Geberit Home app displays a warning sign for [Descaling].</li> </ul>	<ul style="list-style-type: none"> <li>▶ Perform descaling. → See "Descaling the device", page 25.</li> </ul>

## Troubleshooting

### Troubleshooting

The table below explains what you need to do in the event of a fault:

- Carry out the steps one after the other until the device is no longer demonstrating any faults or is working as normal again.
- Be sure to follow the steps in order.

Step	Description of problem	Fault clearance
1	The shower toilet is demonstrating a fault or is not working as normal.	<ul style="list-style-type: none"> <li>▶ Switch off the device. → See "Switching the device on and off", page 13.</li> <li>▶ Wait 30 seconds.</li> <li>▶ Switch on the device. → See "Switching the device on and off", page 13.</li> </ul>
2	Step 1 has been carried out. The shower toilet continues to demonstrate a fault or still does not work as normal.	<ul style="list-style-type: none"> <li>▶ Check the status LED on the remote control. → See "Status LED on the remote control", page 12.</li> </ul>
3	Steps 1 and 2 have been carried out. The shower toilet continues to demonstrate a fault or still does not work as normal.	<ul style="list-style-type: none"> <li>▶ Check the problem descriptions in the faults table and carry out the relevant fault clearance as required. → See "The shower toilet is not functioning", page 28 and "Other functional errors", page 29.</li> </ul>
4	Steps 1 to 3 have been carried out. The shower toilet continues to demonstrate a fault or still does not work as normal.	<ul style="list-style-type: none"> <li>▶ Contact customer service.</li> </ul>

# The shower toilet is not functioning

The following table will help you with troubleshooting if the shower toilet is without function.



## **DANGER** **Electric shock**

Incorrect maintenance work or troubleshooting can lead to serious injury or death.

- ▶ In case of malfunctions, the device must immediately be switched off at the power switch and the customer service must be contacted.
- ▶ Only trained electrically skilled persons are permitted to perform electrical installations on the device.
- ▶ Only trained professionals are permitted to perform retrofitting on the device.



The shower toilet can be used as a normal toilet even in the event of a malfunction. The spray arm must be fully retracted. You start the toilet flush as usual by pressing the buttons on the cistern.



If the device is defective, switch it off using the power switch.

Step	Description of problem	Fault clearance
1	The shower toilet and the status LED are without function.	<ul style="list-style-type: none"> <li>▶ Switch the device off and on again. → See Switching the device on and off.</li> </ul> <hr/> <p><b>Result</b></p> <ul style="list-style-type: none"> <li>✓ The device re-initialises.</li> </ul>
2	The fuse or residual-current device in the electrical distributor trips once.	<ul style="list-style-type: none"> <li>▶ Replace or reset the fuse in the electrical distributor.</li> <li>▶ Reset the residual-current device in the electrical distributor.</li> </ul> <hr/> <p><b>Result</b></p> <ul style="list-style-type: none"> <li>✓ The device re-initialises after being switched on. Using the device does not trip any fuses or residual-current devices.</li> </ul>
3	The fuse or residual-current device in the electrical distributor trips repeatedly when the device is used.	<ul style="list-style-type: none"> <li>▶ Disconnect the mains plug (if available).</li> <li>▶ Replace or reset the fuse or residual-current device in the electrical distributor.</li> <li>▶ Contact customer service.</li> </ul> <hr/> <p><b>Result</b></p> <ul style="list-style-type: none"> <li>✓ The device is defective.</li> </ul>
4	The product has an unknown technical defect.	<ul style="list-style-type: none"> <li>▶ Trip the fuse or residual-current device in the electrical distributor.</li> <li>▶ Disconnect the mains plug (if available).</li> <li>▶ Contact customer service.</li> <li>▶ Have the power supply tested by a skilled person.</li> </ul>

## Other functional errors

The following table will help you with troubleshooting if individual functions of the shower toilet have failed.



The shower toilet can be used as a normal toilet even in the event of a malfunction. The spray arm must be fully retracted. You start the toilet flush as usual by pressing the buttons on the cistern.



If the device is defective, switch it off using the power switch.

Description of problem	Cause	Fault clearance
The status LED flashes blue/red.	Device blocked with limescale	▶ Descale the device. → See "Descaling the device", page 25.
The spray arm does not retract automatically.	A malfunction has occurred	▶ Extend the spray arm manually.
The spray arm is not functioning correctly.	A malfunction has occurred	▶ Switch off the shower toilet at the power switch for 30 seconds. ▶ Switch on the shower toilet at the power switch.
		<b>Result</b> ✓ The device initialises again after switching on.
The cleaning effect of the shower has weakened.	Spray nozzles clogged or defective	▶ Clean or replace the spray nozzles. → See "Cleaning the spray nozzle", page 23. ▶ → See "Descaling the device", page 25.
When using the shower function, the shower toilet no longer reaches the usual temperature.	Shower toilet dirty	▶ → See "Descaling the device", page 25. ▶ Switch off the shower toilet at the power switch for 30 seconds.
		<b>Result</b> ✓ The device initialises again after switching on.

## The remote control is not functioning

The following table will help you with troubleshooting if:

- The remote control is not functioning.
- It is not possible to control the shower toilet with the remote control.



The remote control is inactive while the Geberit Home App is in use.



If the device is defective, switch it off using the power switch.

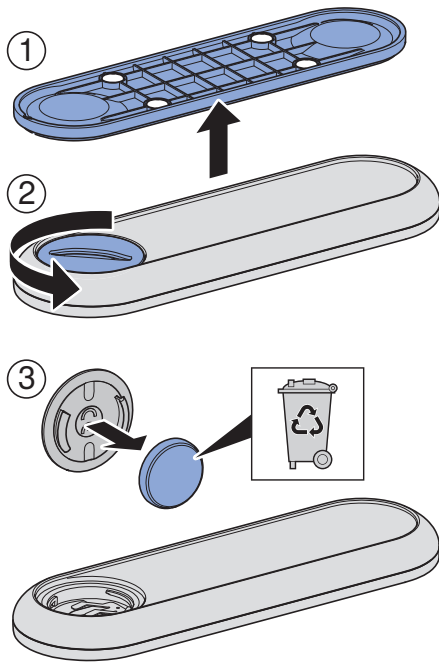
Step	Description of problem	Fault clearance
1	It is not possible to control the shower toilet with the remote control.	<p>► Reassign the remote control. → See "Re-assigning the remote control", page 31.</p> <hr/> <p><b>Result</b></p> <p>✓ The status LED on the remote control lights up for 3 seconds.</p>
2	It is not possible to control the shower toilet with the remote control. The remote control has been re-assigned.	<p>► Replace the battery (type CR2032). → See "Replacing the remote control battery", page 31.</p> <p>► Reassign the remote control. → See "Re-assigning the remote control", page 31.</p>
3	The battery has been replaced and the remote control has been re-assigned; however, the remote control remains inactive when a button is pressed.	<p>► Contact customer service.</p> <hr/> <p><b>Result</b></p> <p>✓ The remote control is defective.</p>

## Replacing the remote control battery

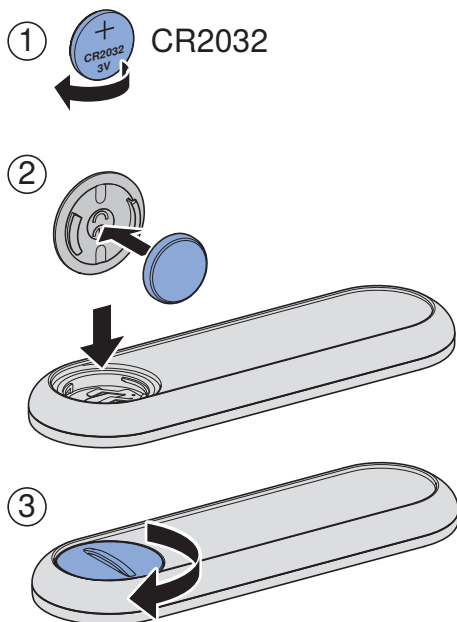
### Prerequisite

- The status LED on the front of the remote control flashes red.
- During the entire procedure, the remote control must be located in the reception range of the shower toilet.

- 1** Remove the dead batteries. Dispose of the dead batteries in the correct way.



- 2** Insert a new CR2032 battery.



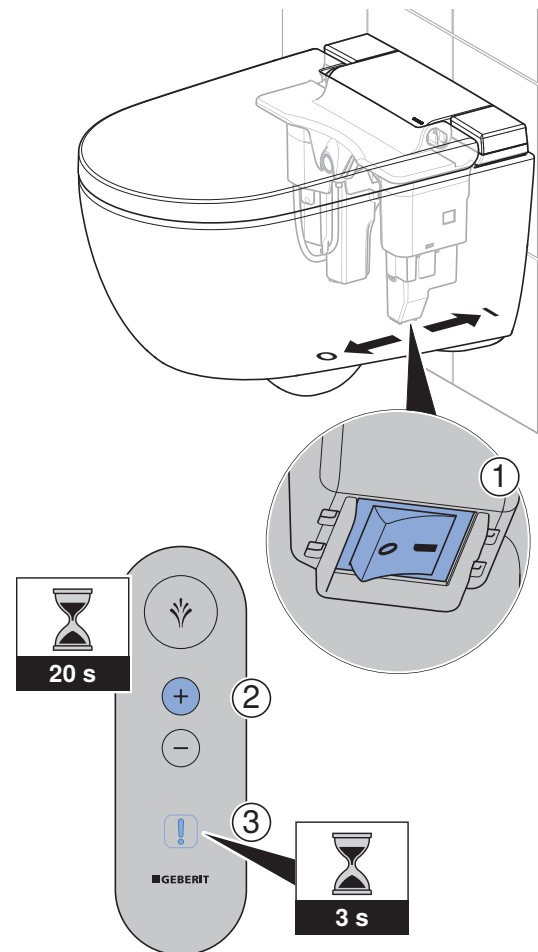
## Re-assigning the remote control

- i** The device can only be operated with a single, assigned remote control.

### Prerequisite

- The device is switched off.

- ▶ Switch on the device and press the <+> button on the remote control for approx. 20 seconds until the status LED on the remote control lights up green for approx. 3 seconds.



### Result

- ✓ The shower toilet can be controlled by remote control.

# Sustainability

---

## Geberit Group and sustainability

As the European market leader in the sanitary industry, Geberit stands for water saving, resource efficiency and sustainable building. The Group has proven for decades that long-term business success is compatible with environmentally friendly actions and social policies. A company management geared to sustainability helps to save costs while minimizing risks at the same time. Geberit aims to act as a role model and set standards for its customers, suppliers and other partners. This means creating water-saving and sustainable products, using safe, environmentally friendly and resource-efficient production practices, engaging in purchasing and logistics activities with high environmental and ethical standards, and offering excellent working conditions for more than 12 000 dedicated and highly qualified employees worldwide. One way in which the company is showing its awareness of social responsibility is by participating in water relief projects around the world.

## Ecodesign – ecobalance

The basis for sustainable products is formed by a systematic innovation process in which product materials and functional principles are chosen that are as environmentally friendly as possible, risks are minimised and a high degree of resource efficiency is strived for. We can supply a detailed ecobalance for this product upon request.

## Tips for reducing the ecological footprint

This product was developed with the utmost care, also with regard to the consumption of energy, water and resources (see also technical data). You can reduce the ecological footprint of the product by observing the following recommendations:

- Switch off the device when you go on holiday.
- Interrupt the spray functionality manually in order to save hot water.
- Use small amounts of paper for drying.
- Switch off the heating function of the water heater when you do not need warm shower water.
- Use environmentally friendly cleaning agents.
- Carry out regular maintenance on the device and handle it with care in order to extend the service life.
- Return defective devices to Geberit or a designated partner for appropriate disposal.



# Disposal

---

## Disposal of waste electrical and electronic equipment



The symbol of the crossed-out wheeled bin means that waste electrical and electronic equipment (WEEE) must be disposed of separately and not with other non-recyclable waste. End users are legally obliged to return old equipment to public waste disposal authorities, distributors, or Geberit for proper disposal. Many distributors of electrical and electronic equipment are obliged to take back WEEE free of charge. Contact the responsible sales or service company to return the WEEE to Geberit.

Used batteries and accumulators that are not enclosed within the old equipment, as well as lamps that can be removed from the old equipment in a non-destructive manner, must be separated from the old equipment before being handed over to a disposal point.

If personal data is stored on the old equipment, end users themselves are responsible for deleting it before handing it over to a disposal point.

## End user warranty

---

### End user warranty

The following end user warranty ('warranty') is provided in addition to – and does not affect – your contractual partner's liability for defective products. The rights resulting from the statutory liability for defective products can be claimed free of charge and independently of this warranty. They are not restricted by this warranty.

This warranty only applies to permanently installed Geberit AquaClean products identified by a Geberit serial number ('product').

The warranty is only granted if the product has been installed in certain countries. A list of these countries can be found on the last page of the user manual ('list'). The warranty is provided by the Geberit company responsible for the country in which the product was installed ('Geberit'). The contact information and web address of Geberit can be found on the list.

1. Geberit warrants to the end user that the product is free from material defects and manufacturing faults. The warranty is valid for a period of two years, calculated from the installation date of the product at the end customer's site. The end customer may extend the warranty by a further year to a total of three years if, within 90 days of the installation date, they either complete and return the warranty card enclosed with the product to Geberit, or complete and submit the warranty form on the Geberit website (hereinafter referred to collectively as the 'warranty period').

#### Warranty scope:

- a) Within the first two years of the warranty period, a customer service representative authorised by Geberit shall rectify any material defects or manufacturing faults free of charge by repairing or replacing the defective parts.
  - b) In the third year of the warranty period, Geberit shall supply replacements for defective parts free of charge to the customer service representative authorised by Geberit and contracted by the end user to repair the product.
2. The end user shall not be entitled to assert more extensive claims against Geberit on the basis of this warranty.
  3. Claims can only be made under the warranty if:

- a) The product has been installed and put into operation by an installation company or by a customer service representative authorised by Geberit. End customers may contact Geberit for an overview of the customer service representatives authorised by Geberit.
  - b) No modifications have been made to the product; in particular, no parts have been removed, replaced or added.
  - c) The product defect has not been caused by improper installation or use, nor can it be attributed to inadequate care or maintenance.
4. To assert rights under this warranty, Geberit must be notified either verbally or in writing via the contact information provided in the list or on the Geberit website, and proof of purchase showing the product description and the installation date must be furnished. The message must include the following information as a minimum:
- a) Name, address and email address of the customer who purchased the product; company name and phone number optional
  - b) Model and serial number of the product
  - c) Details of the product material defects or manufacturing faults
5. This warranty is exclusively subject to the law of the country in which the product was installed. The United Nations Convention on Contracts for the International Sale of Goods is expressly excluded. If the customer is a tradesperson, a legal entity under public law or a special fund under public law, the place of jurisdiction for all disputes arising from contractual relationships between the customer and the provider shall be the registered office of Geberit.

# Technical data and conformity

---

## Technical data

Nominal voltage	230 V AC
Mains frequency	50 Hz
Power consumption	850 W
Power consumption in standby mode	≤ 0.5 W
Electrical connection	Electrical connection via system plug with flexible three-wire sheathed cable
Degree of protection	IPX4
Protection class	I
Wireless technology	Bluetooth® Low Energy <sup>1)</sup>
Frequency range	2400–2483.5 MHz
Maximum output power	0 dBm
Spray time	20 s
Number of shower pressure settings for the shower spray	5
Water temperature	34–40 °C
Operating temperature	5–40 °C
Flow pressure	50–1,000 kPa
	0.5–10 bar
Minimum flow pressure	50 kPa
	0.5 bar
Calculated flow rate	0.02 l/s
Maximum load for the WC seat	150 kg

<sup>1)</sup> The Bluetooth® brand and its logos are the property of Bluetooth SIG, Inc. and are used under licence by Geberit.

## Simplified EU Declaration of Conformity

Geberit International AG hereby declares that the radio equipment type Geberit AquaClean Alba is in compliance with Directive 2014/53/EU.

The full text of the EU declaration of conformity is available at the following internet address:

<http://doc.geberit.com/971625000.pdf>.

## Simplified UK Declaration of Conformity

Geberit International AG hereby declares that the radio equipment type Geberit AquaClean Alba is in compliance with the Radio Equipment Regulations 2017.

The full text of the UK declaration of conformity is available at the following internet address:

<http://doc.geberit.com/971923000.pdf>.

# Contact

---

## Headquarters

(CH / LI)

Geberit Vertriebs AG

Schachenstrasse 77

8645 Jona

Schweiz / Suisse / Svizzera

T +41 848 882 982

service.ch@geberit.com

www.geberit-aquaclean.ch

www.geberit.ch

## Europe

(AT)

Geberit Vertriebs GmbH & Co. KG

Gebertstrasse 1

3140 Pottenbrunn / St. Pölten

Oesterreich

T +43 2742 401-500

aquaclean.at@geberit.com

www.geberit-aquaclean.at

www.geberit.at

(BE)

Geberit nv/sa

Ossegemstraat 24

1860 Meise

België / Belgique

T +32 2 252 01 11

aquaclean.be@geberit.com

www.geberit-aquaclean.be

www.geberit.be

(BG)

Юнитрейд Интернешънъл ЕООД

бул. "Черни връх" 161-A

1407 София

България

T +359 2 968 11 11

F +359 2 968 10 01

unitrade@unitrade-bg.com

www.unitrade-bg.com

(CZ)

Geberit spol. s r.o.

Sokolovská 2408/222

190 00 Praha 9

Česká Republika

T +420 284 689 670

sekretariat.cz@geberit.com

www.geberit-aquaclean.cz

www.geberit.cz

(DE)

Geberit Vertriebs GmbH Kundendienst/  
Servicestelle

Theuerbachstrasse 1

88630 Pfullendorf

Deutschland

T +49 75 52 934 10 11

service.de@geberit.com

www.geberit-aquaclean.de

www.geberit.de

(DK)

Geberit A/S

Lægårdsvej 26

8520 Lystrup

Danmark

T +45 86 74 10 86

F +45 86 74 10 98

service.dk@geberit.com

www.geberit-aquaclean.dk

www.geberit.dk

(ES / AD / GI)

Geberit S.A.U.

Plaza Europa, 2-4, 6ª planta

08902 L'Hospitalet del Llobregat (Barcelona)

España

T +34 900 23 24 25

info.iberia@geberit.com

www.geberit.es

(FI)

Geberit Oy

Lumijälki 2

01740 Vantaa

Suomi

T +358 (0)10 662 302

asiakaspalvelu@geberit.com

www.geberit.fi

(FR / MC)

Geberit s.a.r.l

ZA du Bois Gasseau - CS40252 Samoreau

77215 Avon Cedex

France

T +33 1 60 71 66 61

service.technique@geberit.com

www.geberit-aquaclean.fr

www.geberit.fr

(GB / IE)

Geberit Sales Ltd.

Geberit House

Edgehill Drive

Warwick CV34 6NH

UK

T +44 1926 516 800

T +44 1926 400 101

Eire T +44 1622 717 811

aquaclean.uk@geberit.com

www.geberit-aquaclean.co.uk

www.geberit.co.uk

(GR)

Geberit Greece S.M.P.C

572 Vouliagmenis Avenue

16452 Argyroupoli Athens

Hellas

sales.gr@geberit.com

www.geberit.gr

(HR / BA)

Geberit prodaja d.o.o. , Ruše

Podružnica Zagreb

Samoborska cesta 218

10090 Zagreb

Hrvatska

T +385 1 3867 800

service.hr@geberit.com

www.geberit.hr

(HU)

Geberit Kft.

1117 Budapest

Alíz utca 4.

Magyarország

T +36 1 204 4187

service.hu@geberit.com

www.geberit.hu

(IT)

Geberit Marketing e Distribuzione SA

Via Gerre 4

6928 Manno

Svizzera

T +41 91 611 92 92

F +41 91 611 93 93

aquaclean.it@geberit.com

www.geberit-aquaclean.it

www.geberit.it

(LU)

Geberit Luxembourg

5, rue Jules Ferry

4368 Belval (Sanem)

Luxembourg

T +352 54 52 26

F +352 54 54 91

service.lu@geberit.com

www.geberit.lu

(NL)

Geberit B.V.

Fultonbaan 15

3439 NE Nieuwegein

Nederland

T +31 (0)3060 57700

F +31 (0)3060 53392

service.nl@geberit.com

www.geberit-aquaclean.nl

www.geberit.nl

(NO)

Geberit AS

Luhrtoppen 2

1470 Lørenskog

Norge

T +47 67 97 82 00

gacservice.no@geberit.com

www.geberit-aquaclean.no

www.geberit.no

(PL)

Geberit Sp. z o.o.

ul. Postępu 1

02-676 Warszawa

T +48 22 376 01 01 lub

T +48 801 17 17 17

info.pl@geberit.com

www.geberit-aquaclean.pl

www.geberit.pl

(PT)

Geberit Tecnologia Sanitária, S.A

Rua Cupertino de Miranda, nº 12-2º A

1600-485 Lisboa

Portugal

T 800 25 26 27

info.iberia@geberit.com

www.geberit.pt

(RO)

Geberit S.R.L

Strada Izvor, Nr. 80, Et. 9

Sector 5, Bucuresti

România

T +40 21 330 30 80

info.ro@geberit.com

www.geberit.ro

(RS / MK / ME)

Geberit prodaja d.o.o.

Predstavništvo za Srbiju

Crnu Goru i Severnu Makedoniju

Vojvode Skopljanca 24

RS -11000 Beograd

Serbija

T + 381 11 30 96 430

service.rs@geberit.com

www.geberit.rs

(SE / IS)

Geberit AB

Folketshusgatan 1

Box 140

295 31 Bromölla

Sverige

T +46 456 480 00

aftersales.se@geberit.com

www.geberit-aquaclean.se

www.geberit.se

(SI / AL)

Geberit prodaja, d.o.o.

Bezena 55 A

2342 Ruše

Slovenija

T +386 1 586 22 00

service.si@geberit.com

www.geberit.si

(SK)

Geberit Slovensko s.r.o.

Karadžičova 10

821 08 Bratislava 2

Slovensko

T +421 2 49 20 30 71

sekretariat.sk@geberit.com

www.geberit.sk

(TR)

Geberit Tesisat Sistemleri Tic Ltd. Şti.

İçerenköy Mah. Engin Sok. No: 10

34752 Ataşehir-İstanbul

Türkiye

T +90 216 340 82 73

F +90 216 340 82 79

service.tr@geberit.com

geberit.com.tr

## Africa and Middle East

(AE / BH / KW / OM / QA / SA)

Geberit International Sales AG

Dubai Branch

B702-B705

Building No. 1

Dubai Design District

AE-PO Box

282317 Dubai

United Arab Emirates

T +971 4 204 5477

F +971 4 204 5497

sales.gulf@geberit.com

www.geberit.ae

(IL)

Geberit Israel LTD

(North) Barkat 4 Industrial Park

Caesarea 3079897

Israel

T +972 4 6907207

isro@geberit.com

www.geberit.co.il

(ZA)

Geberit Southern Africa (Pty.) Ltd.

6 Meadowview Lane,

Meadowview Business Estate,

Longmeadow, Linbro Park

Johannesburg

South Africa

T +27 11 444 5070

F +27 11 444 5992

service.za@geberit.com

www.geberit.co.za

## Asia

(CN)

吉博力(上海)贸易有限公司

地址: 上海市嘉定区南翔高科

技园区惠平路1515号

邮编: 201802

People's Republic of China

(CN)

Geberit (Shanghai) Trading Co., Ltd.

Nanxiang Hi-Tech, Jiading District, Shanghai

Nr. 1515, Huiping Road, Technology park

Zipcode 201802

People's Republic of China

T +86 21 61853188

Hotline 400-920-1100

www.geberit.com.cn

(SG / TH / JP / PH / KR / VN / KH / MY / TW / ID /  
HK / MO)

Geberit South East Asia Pte Ltd

8 Kallang Avenue, #17-09, Aperia Tower 1

Singapore 339509

Singapore

T +65 6250 4011

sales.sg@geberit.com

www.geberit.com.sg



## Other countries

(GE / AZ / IQ / UZ)

Geberit Tesisat Sistemleri Tic Ltd. Şti.

İçerenköy Mah. Engin Sok. No: 10

34752 Ataşehir-İstanbul

Türkiye

T +90 216 340 82 73

F +90 216 340 82 79

service.tr@geberit.com

geberit.com.tr

(GISA / GR / EG / NG / KE / MA / UA)

Geberit International Sales

Neue Jonastrasse 59

8640 Rappenswil

Schweiz

T +41 848 882 982

T +41 55 221 62 00

sales@geberit.com

www.geberit-global.com.ch







---

Geberit International AG  
Schachenstrasse 77, CH-8645 Jona  
documentation@geberit.com  
www.geberit.com