

maro
D'Italia 
Where comfort meets elegance.



maro
D'Italia 

Operating Instruction Manual

Before operating the unit,

please read this operation manual thoroughly and retain it for future reference.

Content

Package content	2
Technical specifications	3
Technical drawings & Recommended power and water supply connection	4
Safety precaution	5
Before installation	7
Installation	8
List of installation parts	14
Slide buttons overview	15
Remote control overview	16
Wash / bidet operation	17
Oscillating and pulsating wash mode	18
Auto mode	19
Seat heating setting	20
Dryer operaton and night light	21
Nozzle cleaning	22
The Users setting	23
Cleaning	24
T-joint cleaning and filter replacement	25
Removal	26
Troubleshooting	27
Troubleshooting & Significant indication and warning	28
Service record & Notes	29
Warranty card	30

Warranty card

2 YEAR COMMERCIAL WARRANTY

The scope of this warranty is as follows:

1. MARO guarantees that the product shall be free from material defects and manufacturing faults for a period of 2 years ("warranty period") calculated from the date of purchase.

Warranty scope: Within the warranty period, a customer service representative authorised by MARO shall rectify any material defects or manufacturing faults free of charge by repairing or replacing the defective parts. The end user shall not be entitled to assert more extensive claims against MARO on the basis of this warranty.

2. Claims can only be made under the warranty if:

- The product has been installed according to the instructions
- No modifications have been made to the product; in particular, no parts have been removed, replaced or added; and
- The product defect has not been caused by improper installation or use, nor can it be attributed to inadequate care or maintenance;

3. Maro D'Italia is not responsible for the cost of removal, return (shipping) and/or reinstallation of products. This warranty does NOT apply to:

- MARO as manufacturer will not be responsible for any quality or malfunction issue caused by quality of the feed water.
- Damage of loss sustained through any natural or manmade causes beyond the control of Maro D'Italia , including but not limited to fire, earthquake, floods, etc.
- Damage or loss resulting from sediments or foreign matter contained in a water system. Including damage resulting from limescale.
- Damage or loss resulting from installation of a unit in a harsh or hazardous environment.
- Damage or loss resulting from improper maintenance including damage caused by chlorine or chlorine related products.
- Damage or loss resulting from electrical surges, electrical outages, lightning strikes or other acts which are not the fault of Maro D'Italia or which the Product is not specified to tolerate.

4. The warranty is exclusively subject to the substantive law of the country in which MARO has its place of business. The following MARO products are covered by mandatory warranty for a period of two years from the date of purchase by the original end user customer. In the event a product has been discontinued, MARO, at its sole discretion, shall either repair the product, offer to replace it with a comparable product or provide a refund at the lesser of the purchase price or the product's current value. Repaired or replacement products will continue to be covered by this mandatory warranty for the remainder of the original warranty term or ninety (90) days, whichever is longer. This mandatory warranty applies only to the original end user customer for the term of the product warranty described herein. This mandatory warranty is non-transferable.

Date of purchase:

Place of purchase:

Serial number:

Customer name:

Technical Specifications

NAME	ELECTRONIC TOILET SEAT			
MODEL	DI600			
TECHNICAL SPECIFICATIONS	WASH	WASHING	●	
		BIDET	●	
		OSCILLATING	●	
		PULSATING	●	
		WATER PRESSURE CONTROL	5 Settings	
		WATER TEMPERATURE CONTROL	3 Settings	
		NOZZLE POSITION ADJUSTMENT	5 Settings	
	AIR	AIR DRYER	●	
		AIR TEMPERATURE CONTROL	3 Settings	
	SEAT	SEAT HEATING TEMPERATURE CONTROL	5 Settings	
		SOFT CLOSING SEAT AND COVER	●	
	HYGIENE	SEAT SENSOR	●	
		ANTIBACTERIAL NOZZLE CAP	●	
		ANTIBACTERIAL SEAT	●	
	ENERGY SAVING	NOZZLE MANUAL CLEAN MODE	●	
		ENERGY-SAVINGS	●	
	OTHER	NIGHT LIGHT	●	
	RATED VOLTAGE			AC 220V-240V, 50Hz
	RATED POWER			1300W-1550W
	BEST ROOM TEMPERATURE			3~40°C
	WATER SUPPLY PRESSURE			0.07~0.75MPa
	WATER SUPPLY TEMPERATURE			4~35°C
	WATERPROOF RATING			IPX4
	HEATED WATER	WATER TEMPERATURE	30~40°C	
		HEATER POWER	1250W-1500W	
	HEATED SEAT	SURFACE TEMPERATURE	29~41°C	
HEATER POWER		50W-60W		
DRYER	AIR TEMPERATURE	40~55°C		
	MAXIMUM SPEED OF AIR	>4m/s		
	DRYER POWER	250W-300W		
PRODUCT DIMENSIONS			385x510x136mm	

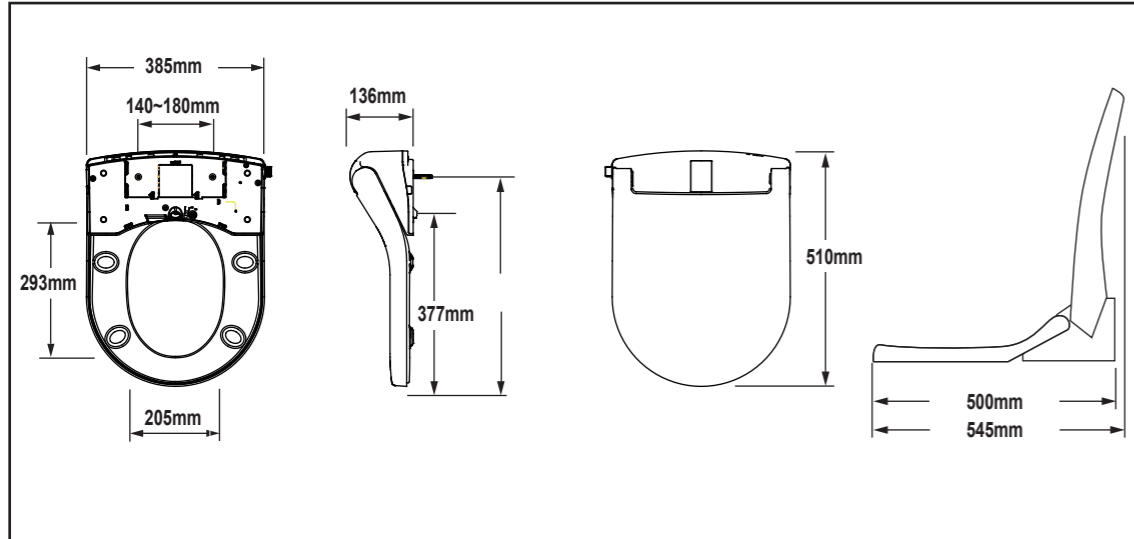
Troubleshooting

Problem		Cause	Solution
Seat heating	Seat temperature is not warm enough during usage.	Is seat temperature set on low or is it turned off?	Reset the seat temperature on a higher setting.
	Seat temperature is too high.	Is the seat temperature set too high?	Reset the seat temperature on a lower setting.
	Drying function does not work.	Is the product set to ECO mode? The seat temperature will increase automatically after you use the seat in the ECO mode.	This is normal phenomenon. This mode will save energy.
Drying function	Air temperature is not warm enough.	Is drying temperature set on low or is it turned off?	Reset the seat temperature on a higher setting.
	Drying stops suddenly.	If the user moves too quickly or moves away from the seat, the sensor may not be able to find the user position for a short period of time.	Sit on the seat so the sensor will be activated again, and press the drying button.
	Drying function does not work.	Are you seated on the seat? Did you select any washing function?	Sit on the seat sensor again and press the drying button. Turn off the washing functions and press the drying button.
Night light function	The night light is off.	The night light is set on "off" status.	Press the "Night Light" button to turn on the light.
	The night light is on.	The night light is set on "on" status.	Press the "Night Light" button to turn off the light.
Manual nozzle cleaning mode	The nozzle is automatically retracted.	The nozzle will be automatically retracted 2 minutes after the nozzle self cleaning mode begins.	This is normal phenomenon.
	The nozzle does not extend after the "Nozzle Clean" button is pressed.	Some electro-conductive materials came in touch with the seat (e.g. water drops or wet toilet paper). The sensor might have recognised a user using the product.	Remove the conductive media from the seat.

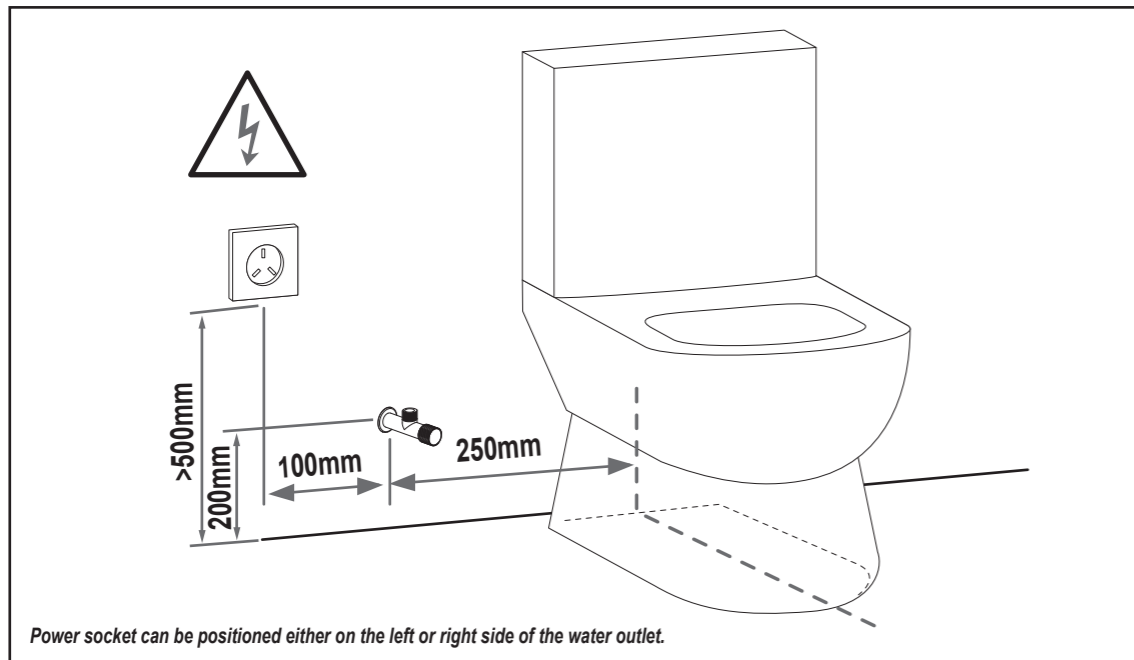
Significant indication and warning

Indicator for light and alarm functions	Continuous beeping sound of the buzzer which lasts for 3 minutes, with the red indicator light flashing twice every second.	The water temperature is too high; the water is continually emitted from the nozzle holder.	1. Set the water temperature on "off", connect to power and switch on the product again. 2. Please stop using the product and call our service centre.
	Red indication light flashes once every second.	Has the corner valve been turned off?	Turn off the corner valve, connect to power and switch on the product again.
	Red indication light flashes once every second.	Function failure.	Please stop using the product and call our service centre.
	Green indicator light is flashing.	Current leakage has exceeded the limit.	Please stop using the product and call our service centre.

Technical Drawings



Recommended Power and Water Supply Connection



Troubleshooting

FREQUENTLY ASKED QUESTIONS

Please read the following questions carefully and refer to the instructions. If the product still does not work, contact your local sales dealer or dial the service call for help.

TIPS: If there is water leakage, immediately turn off the water, pull out the power plug and switch off the power supply of the appliance.

The following reasons may cause the product's working failure:

1. Check the power supply
 - (1) Is the power supply working properly?
 - (2) Is the plug plugged in?
 - (3) Is the electricity-leakage protection switched off?

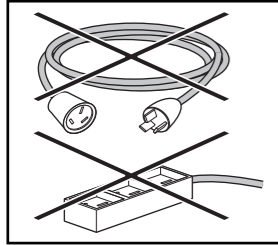
2. Check the water supply
 - (1) Is the water supply working properly?
 - (2) Is the water supply valve switched off?

If the following phenomena occur, cut off the power immediately. Read the content carefully. Contact your local sales dealer or dial the service call for help if needed.

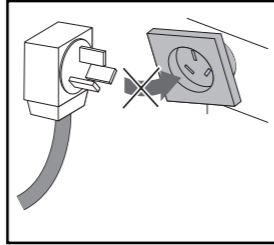
1. Continuous beeping sound of the buzzer which lasts for 3 minutes, with the red indicator light flashing twice every second.
2. The green indicator light is flashing.
3. The power leakage protection switch on the power plug trips frequently.

	Problem	Cause	Solution
	The product is not working.		
Remote control			Replace with new batteries.
			Place the batteries in the right direction.
	Remote control button is insensitive.	Low battery? Are the signal transmission or reception windows of the remote control covered with dust or blocked? Is the remote control too far away from the product or not within the sensor range of the remote control?	Replace with new batteries. Clean the signal transmission or reception windows. Please use the remote control within the effective sensor range.
Front/rear wash function	The nozzle extends too slowly.	After having activated the front or rear washing function, the nozzle will be retracted for self-cleaning. Then move out again for washing procedure. This'll take several seconds.	This is normal phenomenon.
	The water pressure is weak.	Is the water pressure too low?	Reset the water flow to a higher level by using the remote control.
		Is the water filter blocked?	Clean the filter.
	Low water temperature.	Is the connection nut for the water supply hose loose? Does water leak from the hose?	Lock the nuts tightly.
The nozzle suddenly stops emitting water.	Is the water temperature set on "low" or "off" status?	Reset the water temperature on "high" or "normal" status using the remote control.	
	During washing, the nozzle'll stop emitting water & move back to its initial position after 3 min. If the user moves too quickly or moves away from the seat, the sensor may not be able to find the user position for a short period of time.		This is normal phenomenon. This is normal phenomenon. This mode will save energy.

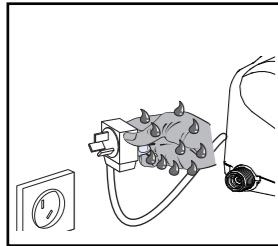
Safety precautions



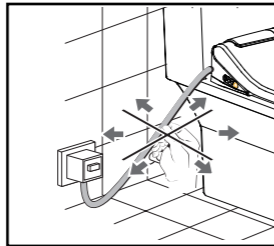
Use the specified power supply AC 220V-240V/50Hz only. Never put too much pressure on the electrical outlet. This may cause a fire or overheating. If the power cord does not suffice, please buy a professional power extension cord.



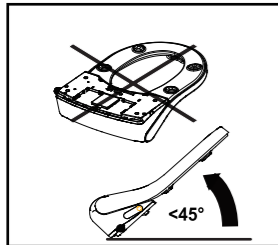
Do not loose outlets. This might cause a fire or an electrical shock.



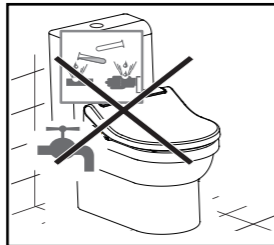
Do not touch the power plug with wet hands. This might cause a fire or an electrical shock.



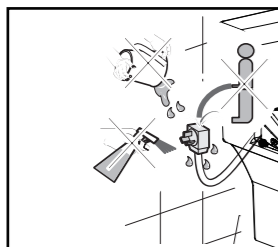
Make sure you operate the plug and wire correctly, otherwise this may lead to fire or electrical shock. To avoid the risk, make sure that only professional staff is entitled to perform the replacement in case of power cord failure.



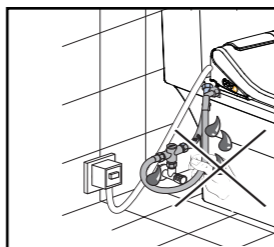
Do not turn the product upside down. Do not lift the front of the base part of product by more than 45° . This might cause product damage.



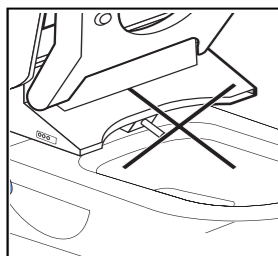
Make sure not to use industrial water, waste water, polluted water or sea water as the supply. This might cause inflammation skin injury.



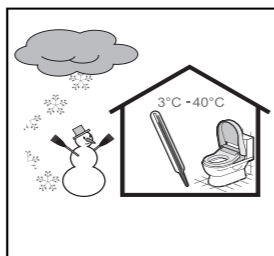
Make sure no splash of water, detergents or urine comes in touch with the power plug. This might cause an electric shock.



Use the attached new hose assembly during the installation. The old hose should not be reused. Do not bend or distort the inlet hose. This might cause water leakage or performance failure.

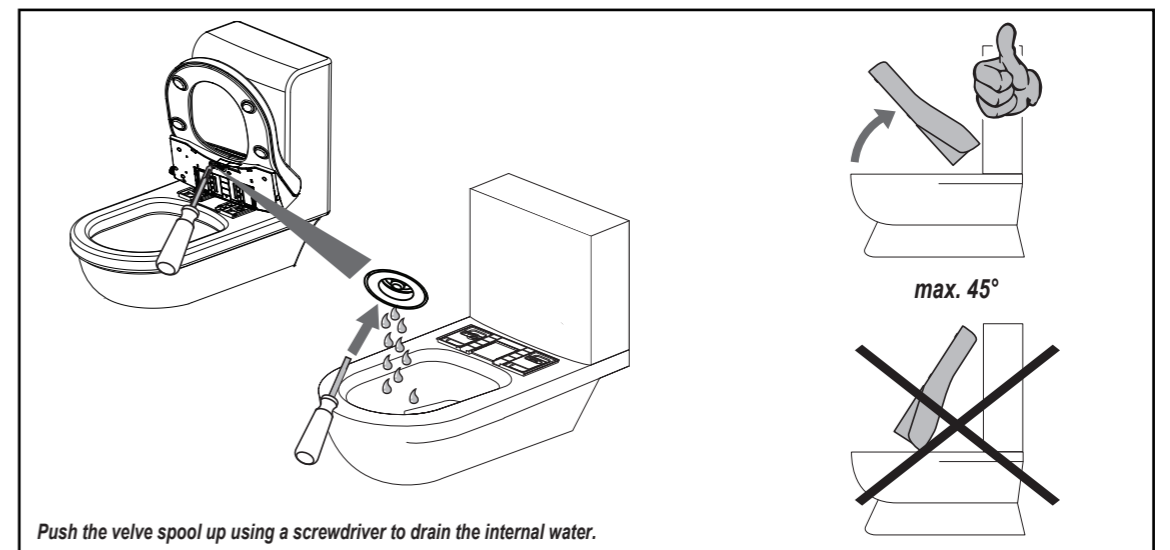
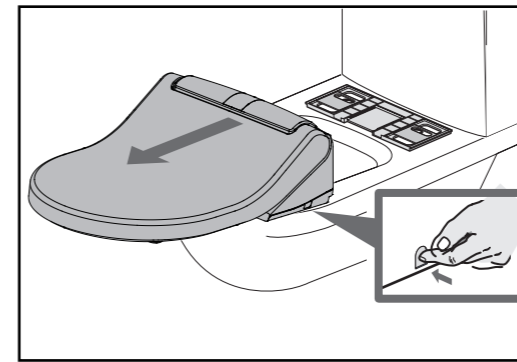
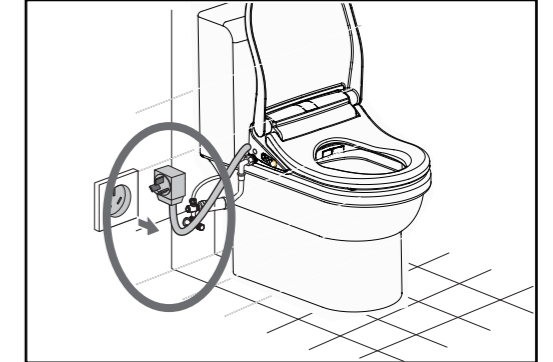
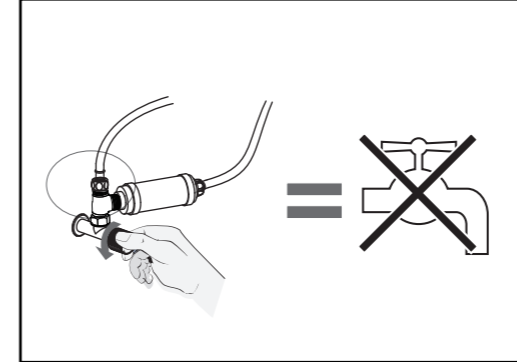


Do not bend or distort the nozzle. This might cause product damage or performance failure.



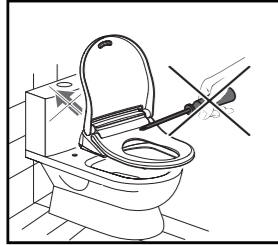
The room temperature where the product is placed should be above the freezing point. Make sure you set up the right room temperature, otherwise the product might freeze.

Removal



Push the velve spool up using a screwdriver to drain the internal water.

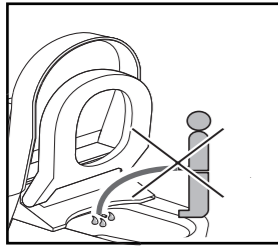
Safety precautions



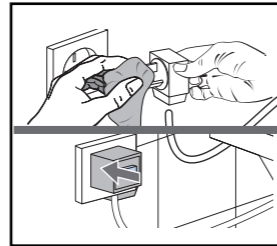
Make sure replacement, repair or removal of the product is carried out by a qualified service person only. Failing to do so might cause a fire or electrical shock.



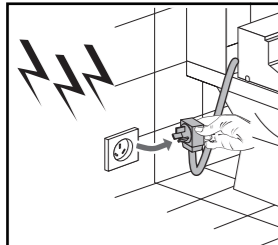
Do not expose the product to direct sunlight. This might cause discoloration or skin injury due to unstable temperature.



Do not urinate on the nozzle. This might cause product failure.



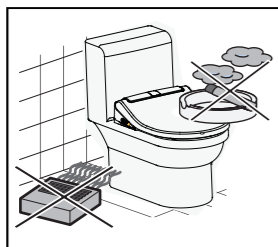
Before inserting the power plug into the electrical outlet, use a soft dry cloth to remove dust and other particles from the plug. Insert it into the outlet.



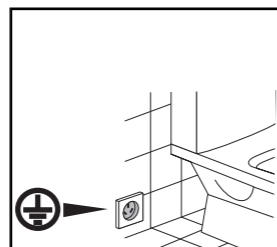
Unplug the power plug when thunder occurs. Wrong use can result in product failure or damage of the product.



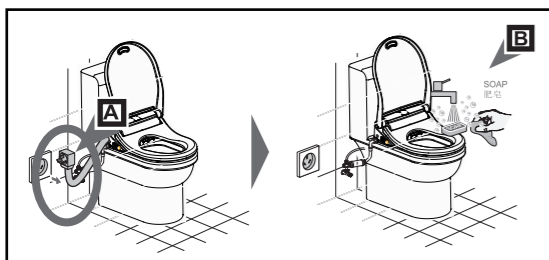
Do not lean on the seat cover. This might cause cover damage.



Do not place an electric heater near the product or dispose of any burning materials such as a lit cigarette in the toilet. This may result in fire or product deformation.



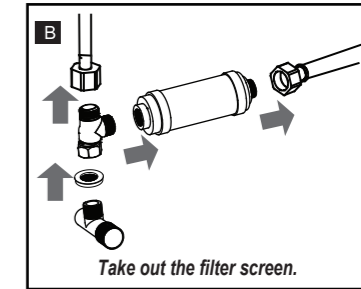
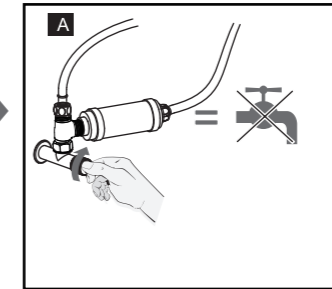
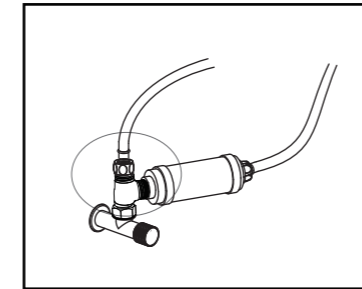
Check if the type C electrical plug is connected to the ground line. Make sure the electrical plug is plugged into an outlet that is properly installed and grounded. Electrical power supply should be implemented by a qualified electrician or service technician. Improper use of the grounding plug can result in electric shock.



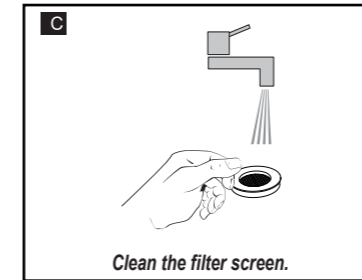
Pull the power plug out of the electrical outlet before cleaning the unit. Do not splash water directly onto the bidet. Failing to do so might cause an electrical shock.

T-joint cleaning and filter replacement

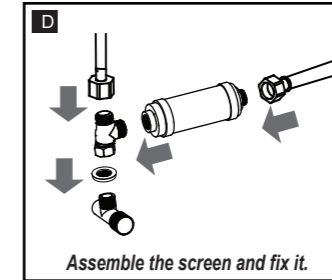
T-valve filter cleaning



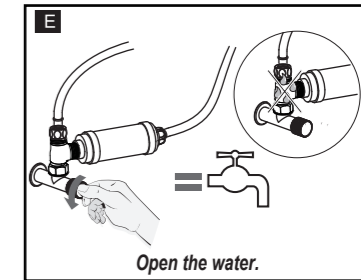
Take out the filter screen.



Clean the filter screen.

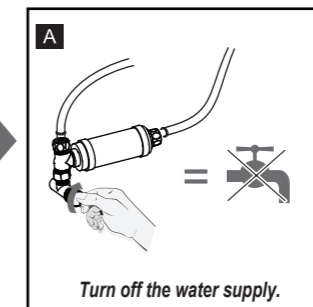
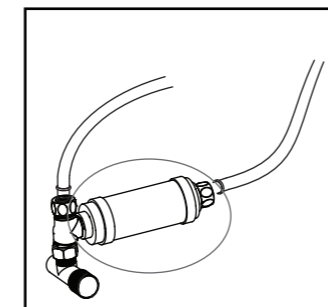


Assemble the screen and fix it.

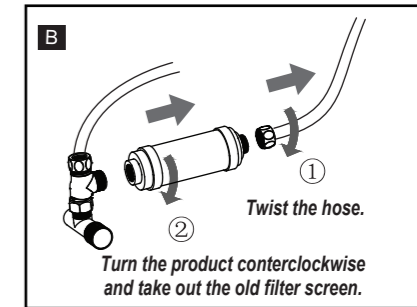


Open the water.

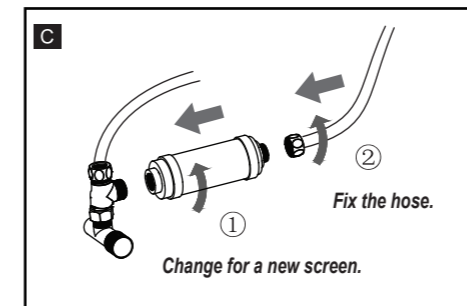
Replace the filter



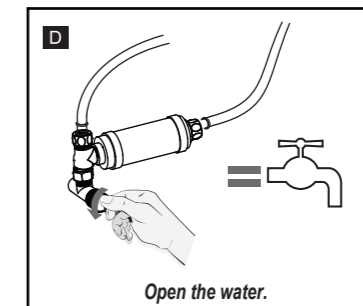
Turn off the water supply.



Twist the hose.
Turn the product counterclockwise and take out the old filter screen.



Fix the hose.
Change for a new screen.



Open the water.

Before installation

1. Do not put the product in a room where humidity can exceed 90% RH (relative humidity).
2. Only use specified power supply (AC 220V–240V). Other power supply may cause product failure or product damage.
3. Do not apply power or supply water to the unit until the installation process is complete.
4. The power voltage amounts to 220V–240V. The rated power is 1300W–1550 W. Use wiring and electrical outlet appropriate for this level of power.
5. Use water supply with static pressure of 0.7–7.5 kgf/cm² (0.07–0.075 Mpa).
6. The temperature of the main water supply should be defined from 4–35°C (39.2–95°F).

When using electrical products, especially when children are present, basic safety precautions should always be followed, including the following:

TO REDUCE THE RISK OF ELECTROCUTION:

1. Do not place or store this appliance anywhere where it can fall or be pulled into a bath or sink.
2. If the product falls into the water, please unplug the power supply immediately and do not touch it directly with your hands.
3. Do not reach for the product that has fallen into water. Unplug it immediately.
4. Do not use the product while taking a shower.

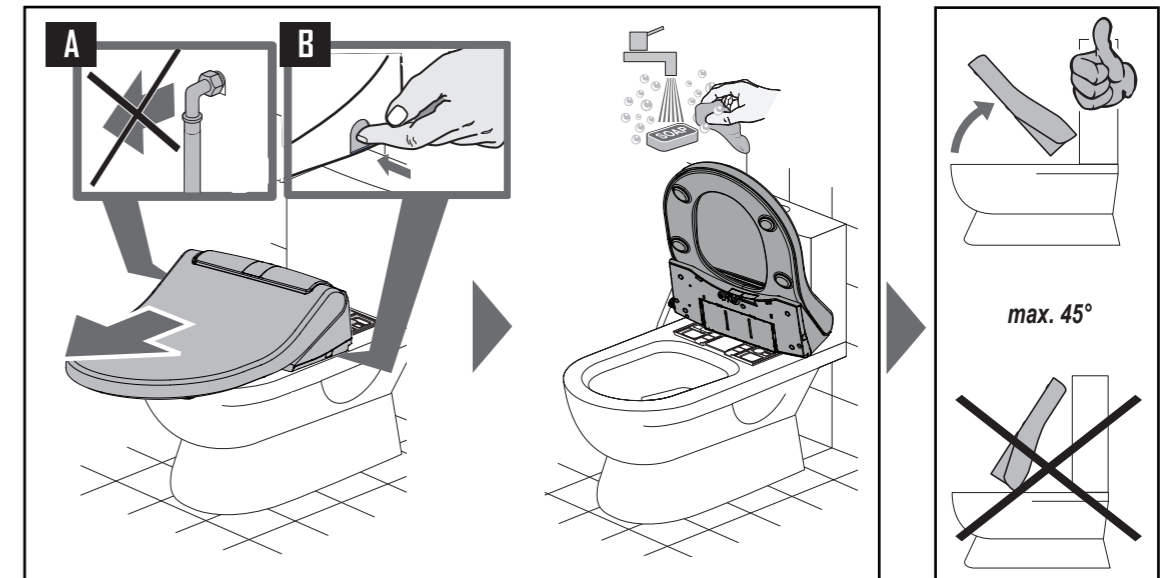
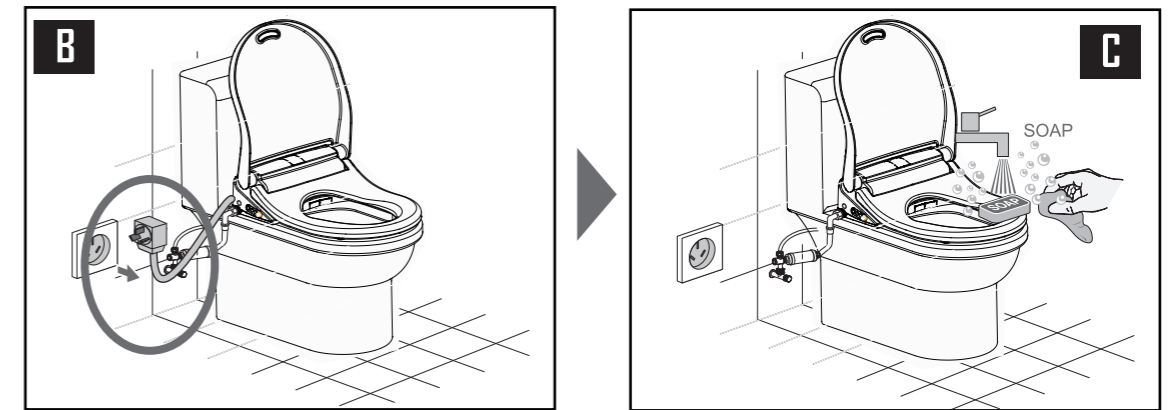
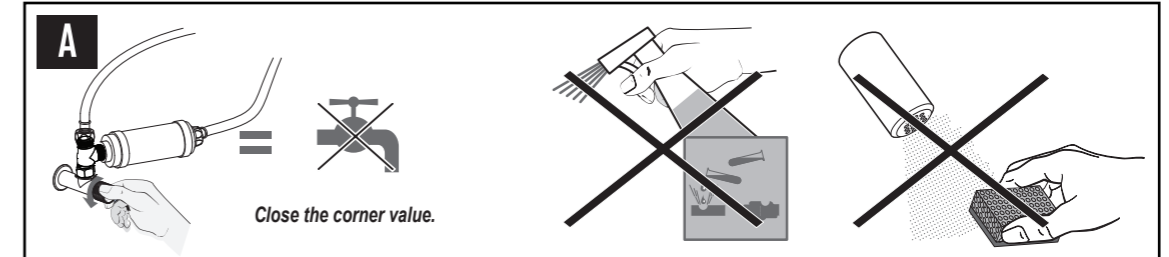
WARNING: To reduce the risk of low-temperature burns, electric shocks, fire or personal injuries:

1. Close supervision is necessary when this product is used by children or persons requiring general assistance.
2. Do not leave children unattended in the room when the product is positioned. Kids should not play with the product.
3. Adjust the temperature of the toilet seat for the elderly, handicapped and people with sensitive skin.

WARNING

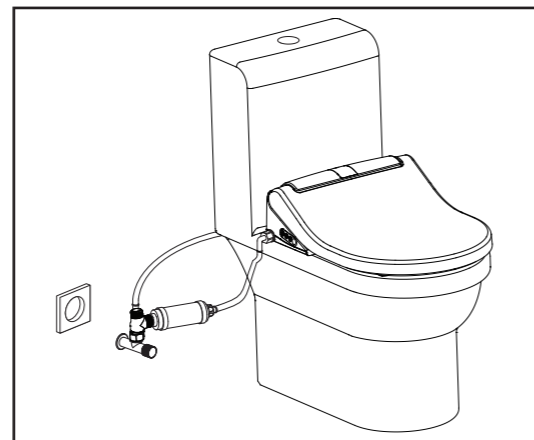
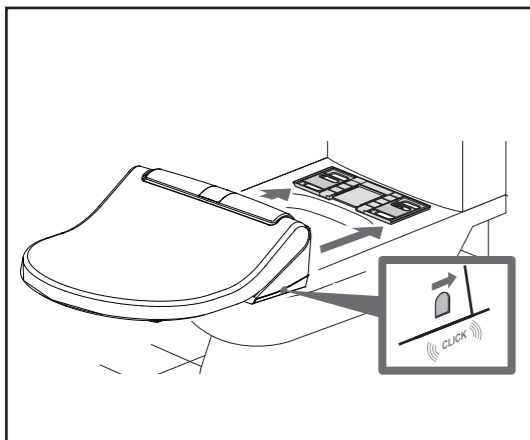
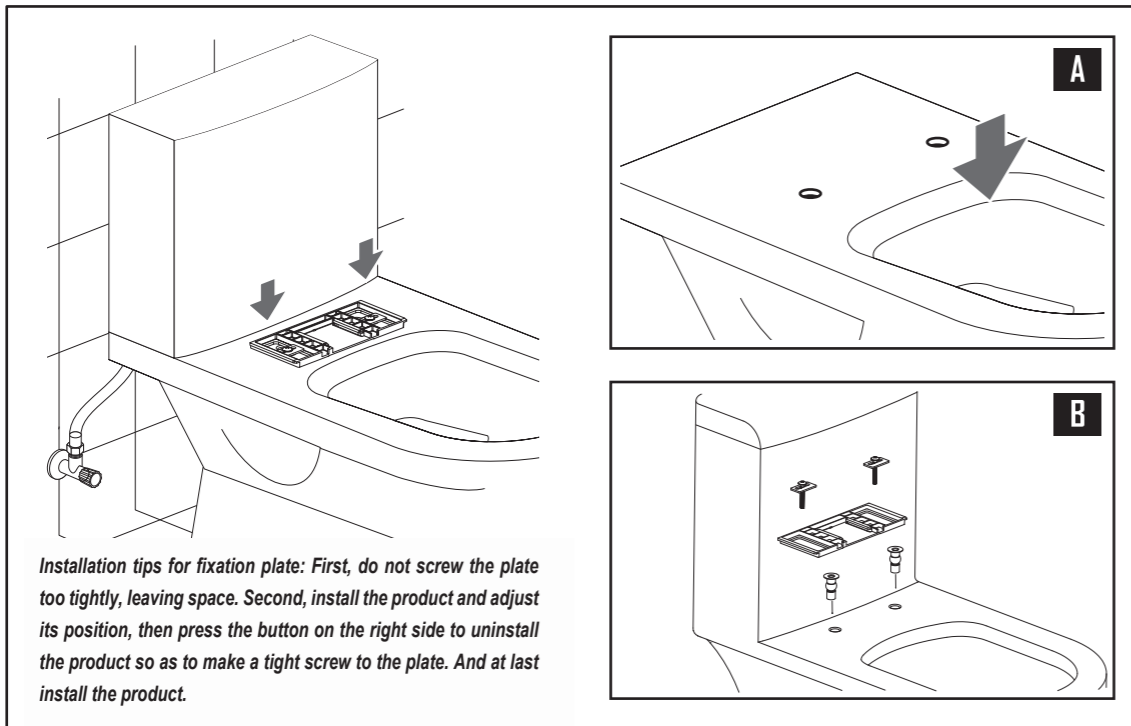
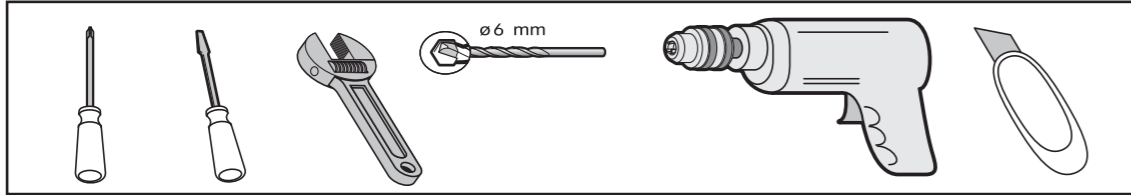
Please clean any residual mud, sand and other debris in the bathroom before installation; otherwise you may risk product damage.

Cleaning

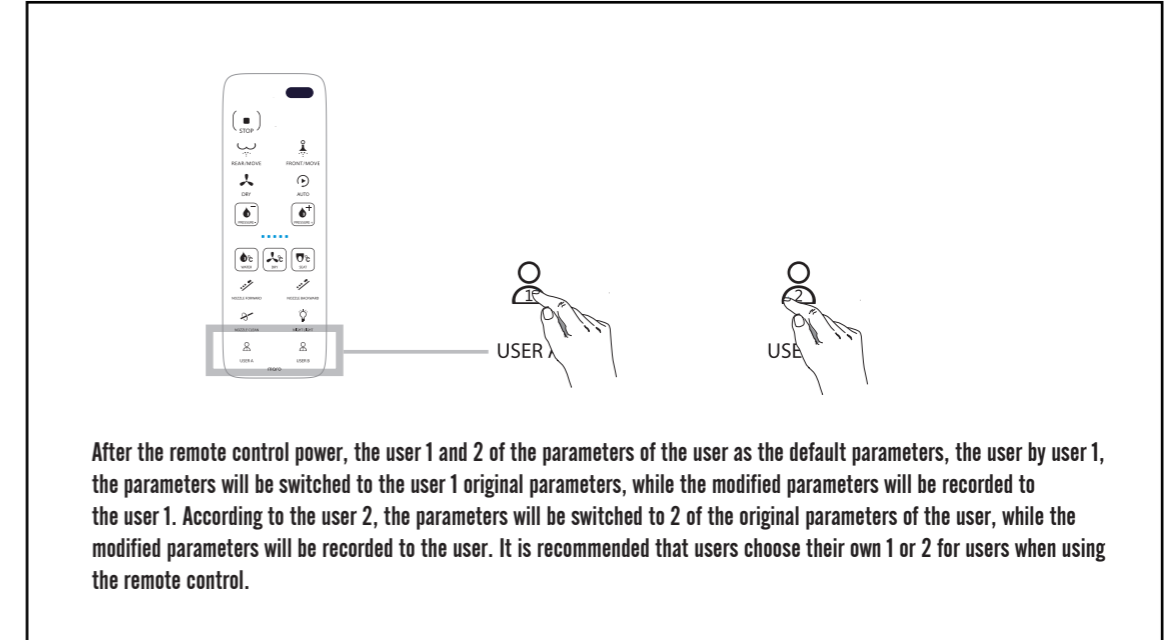


Turn the toilet seat counterclockwise and take out the old filter screen.

Installation



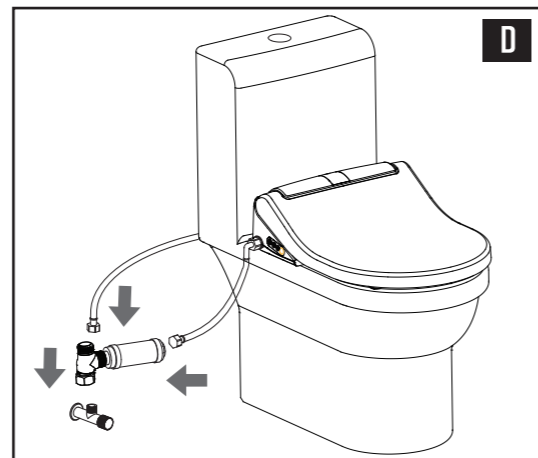
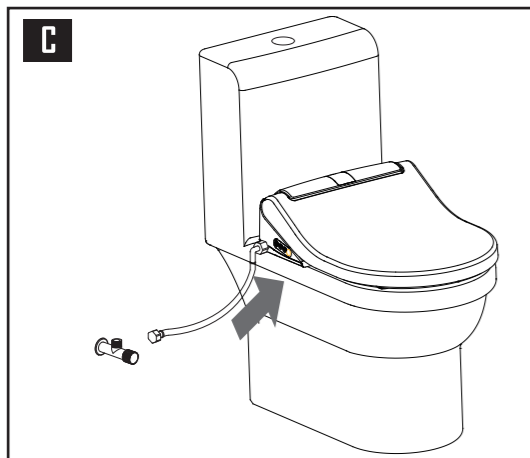
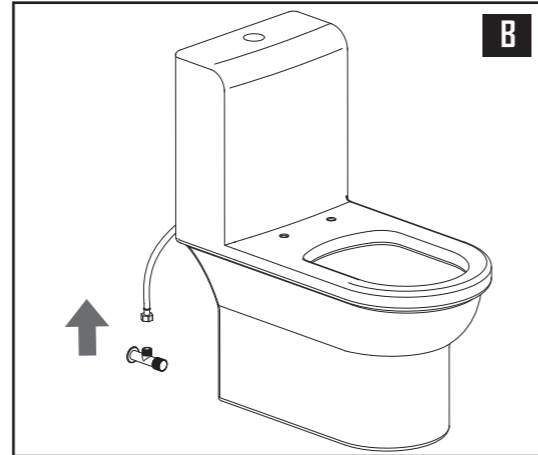
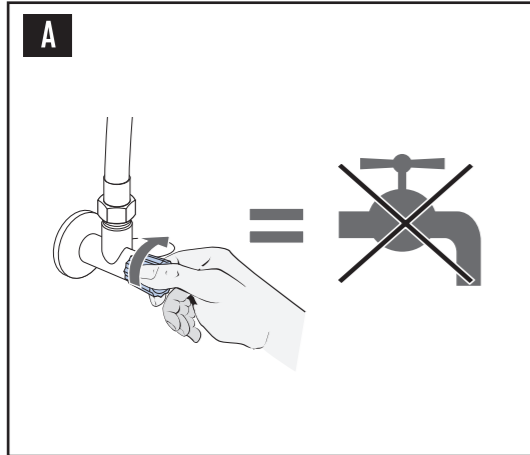
The Users setting



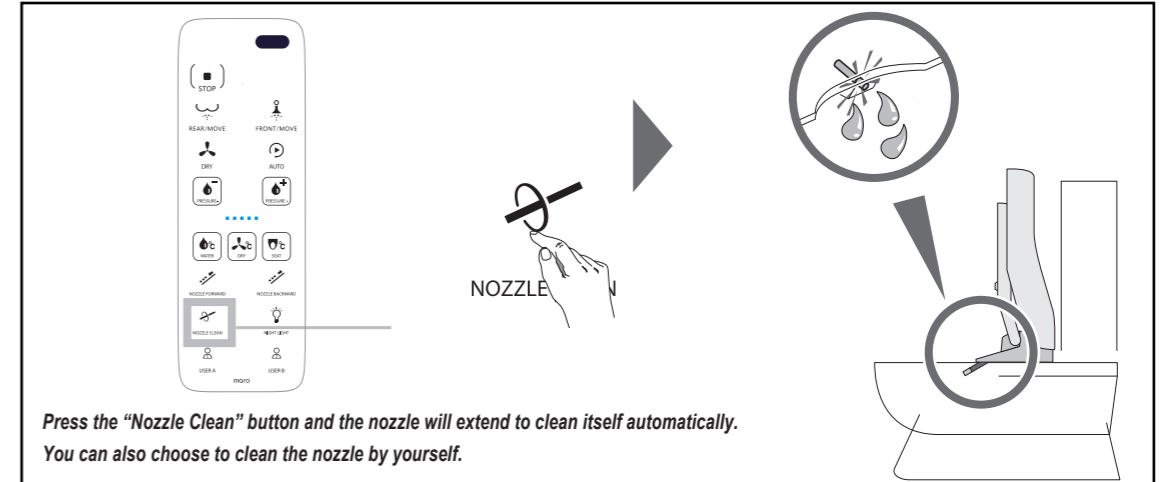
TIPS

1. When not using the product for over 72 hours, the product will automatically clean the water pipe for 15-30 seconds after user sits on the toilet.
2. When not using the product for a long period of time, users are advised to pull out the plug and drain off the water inside (refer to page 26).

Installation

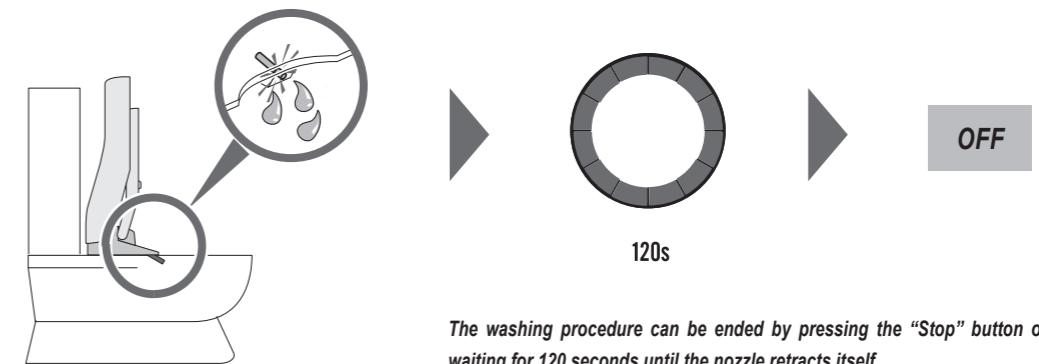
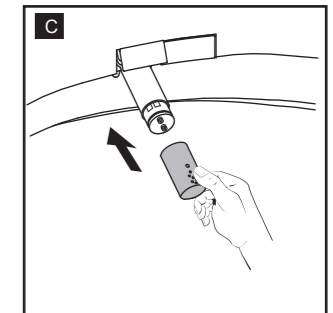
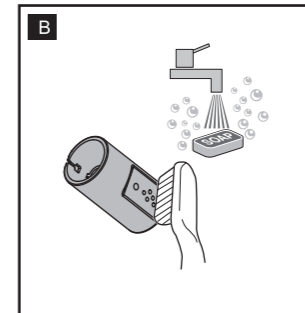
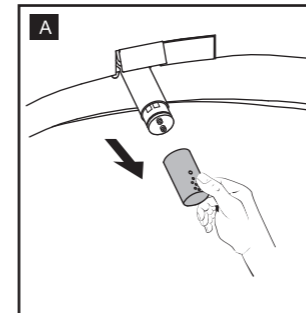


Nozzle cleaning



Press the "Nozzle Clean" button and the nozzle will extend to clean itself automatically. You can also choose to clean the nozzle by yourself.

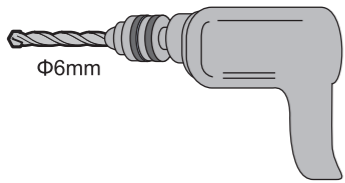
Manual cleaning



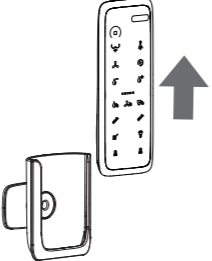
The washing procedure can be ended by pressing the "Stop" button or by waiting for 120 seconds until the nozzle retracts itself.

Installation


A



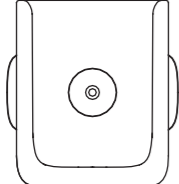
Φ6mm

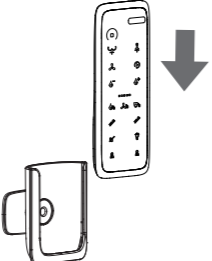


Slide up to remove the remote control.




B

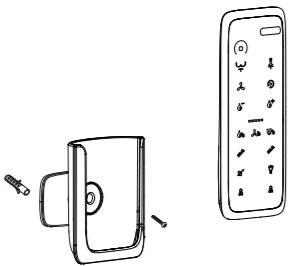





Slide down to put the remote control back to the initial position.




C







Dryer operation and night light

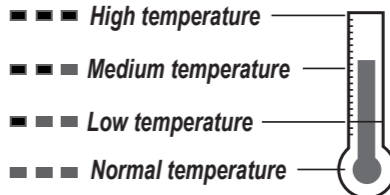
Dryer operation



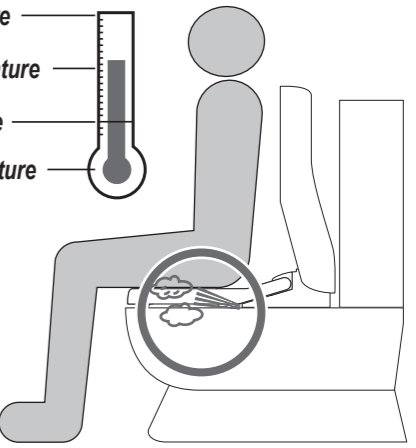
DRY





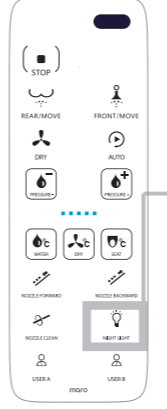


- High temperature
- Medium temperature
- Low temperature
- Normal temperature




Press the "Stop" button to stop; The function will stop automatically in 3 minutes or when you stand up.


Night light





NIGHT LIGHT




Press the button to start the Light Mode.



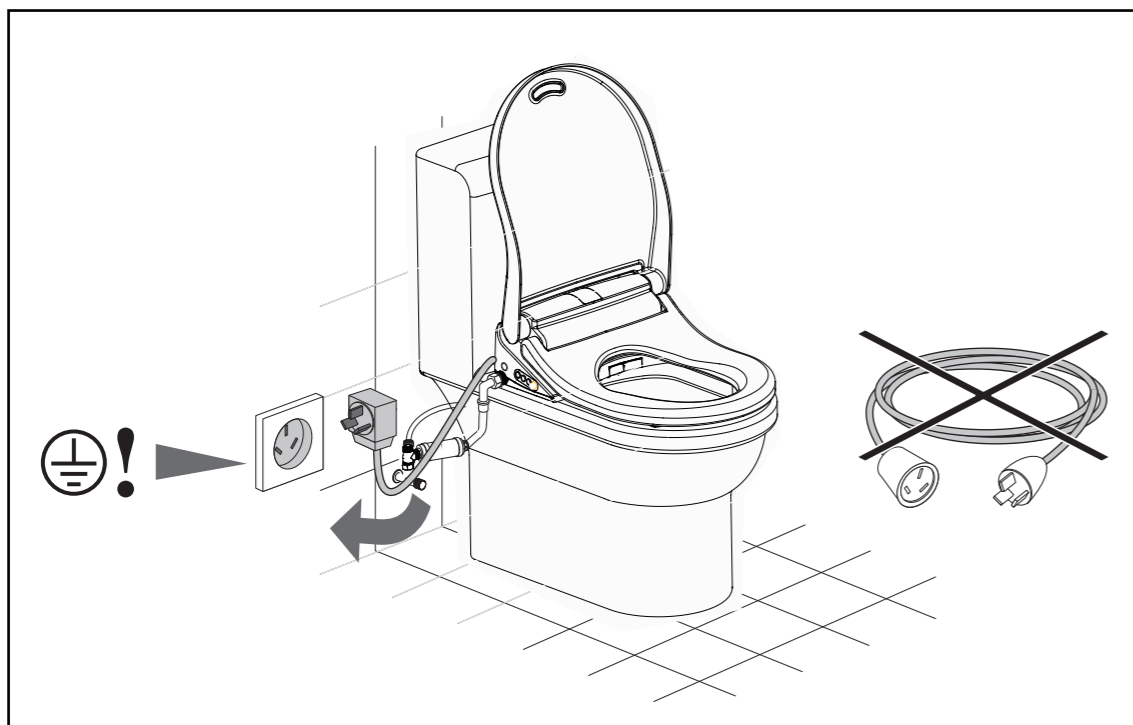
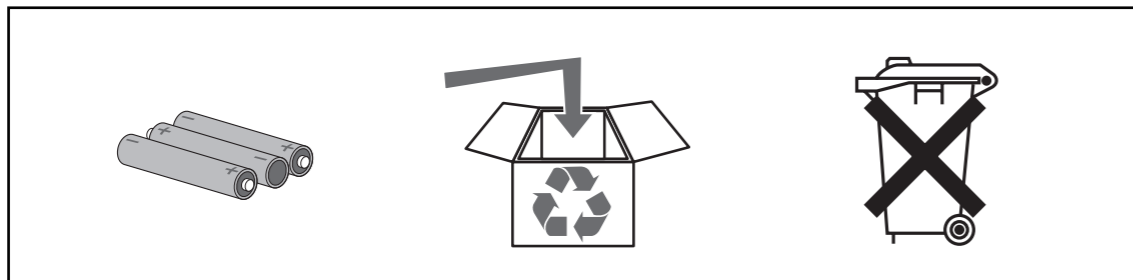
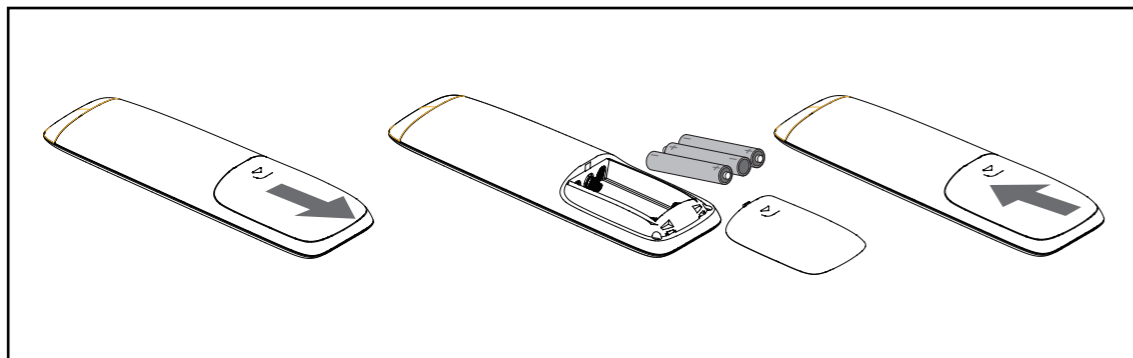




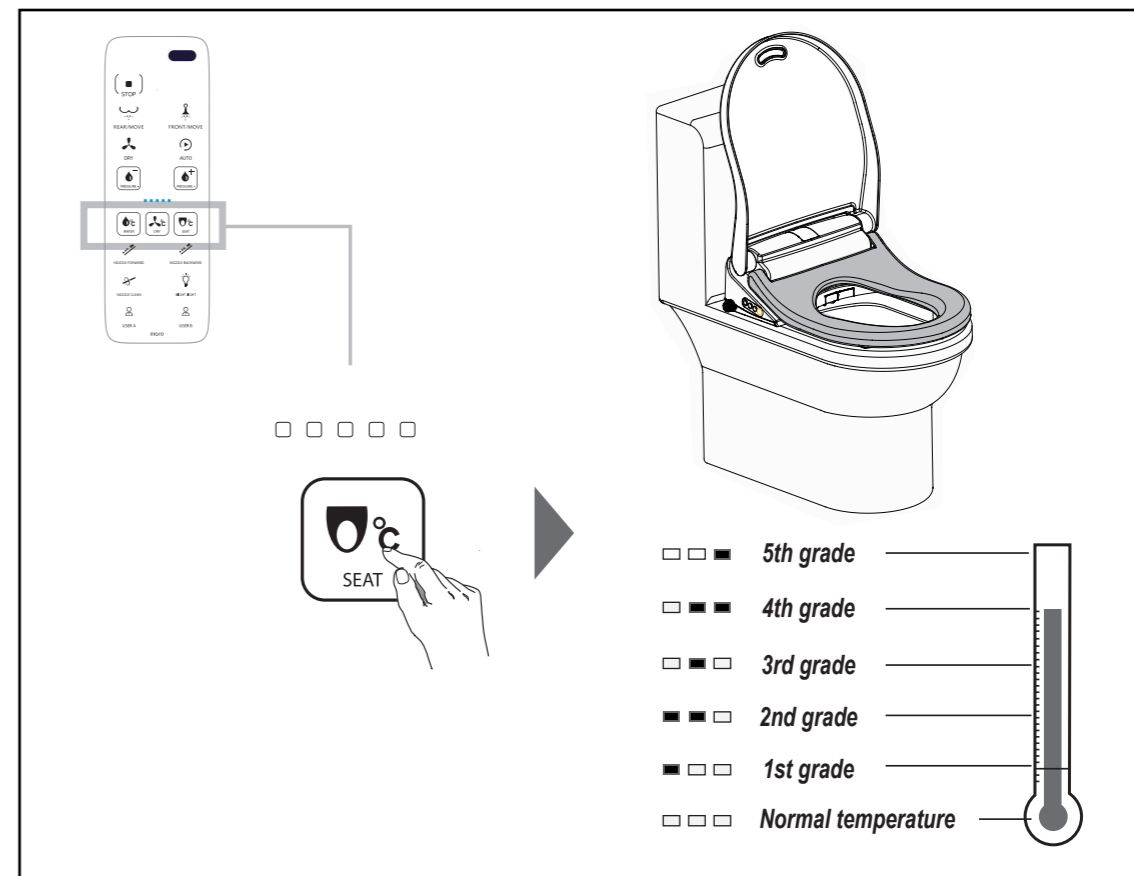
Press again to stop.



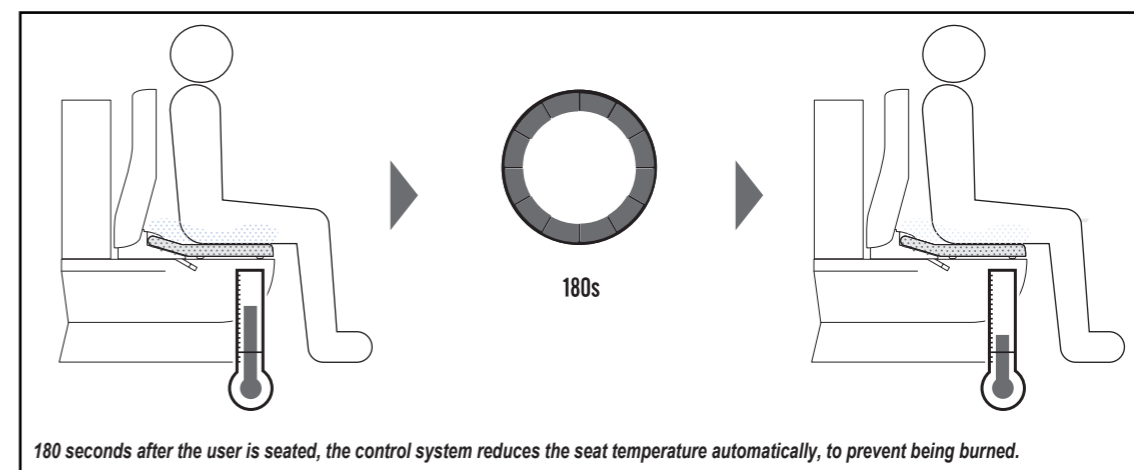
Installation



Seat temperature control

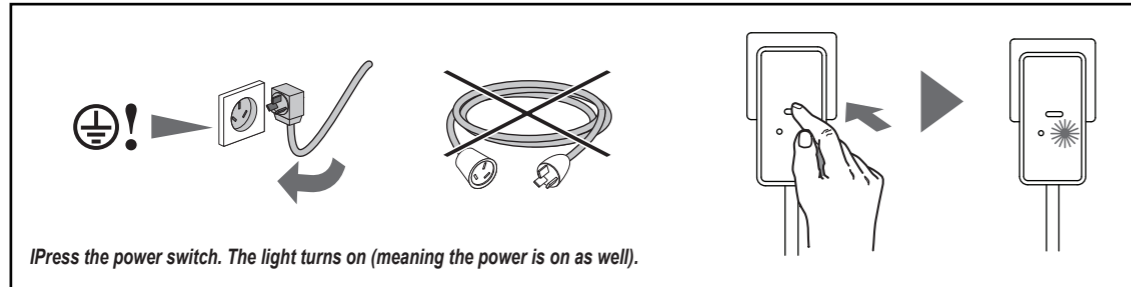


Burn protection



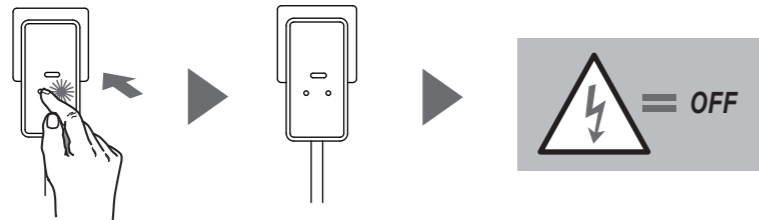
Installation

Power supply connection

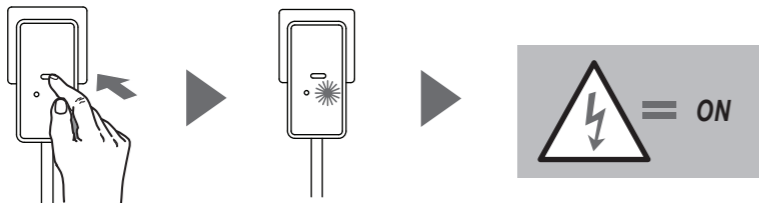


Leakage protection test

Press the leakage test button. If everything is fine with the leak protection, the light will be turned off, meaning the power is off as well. Please test this every month.



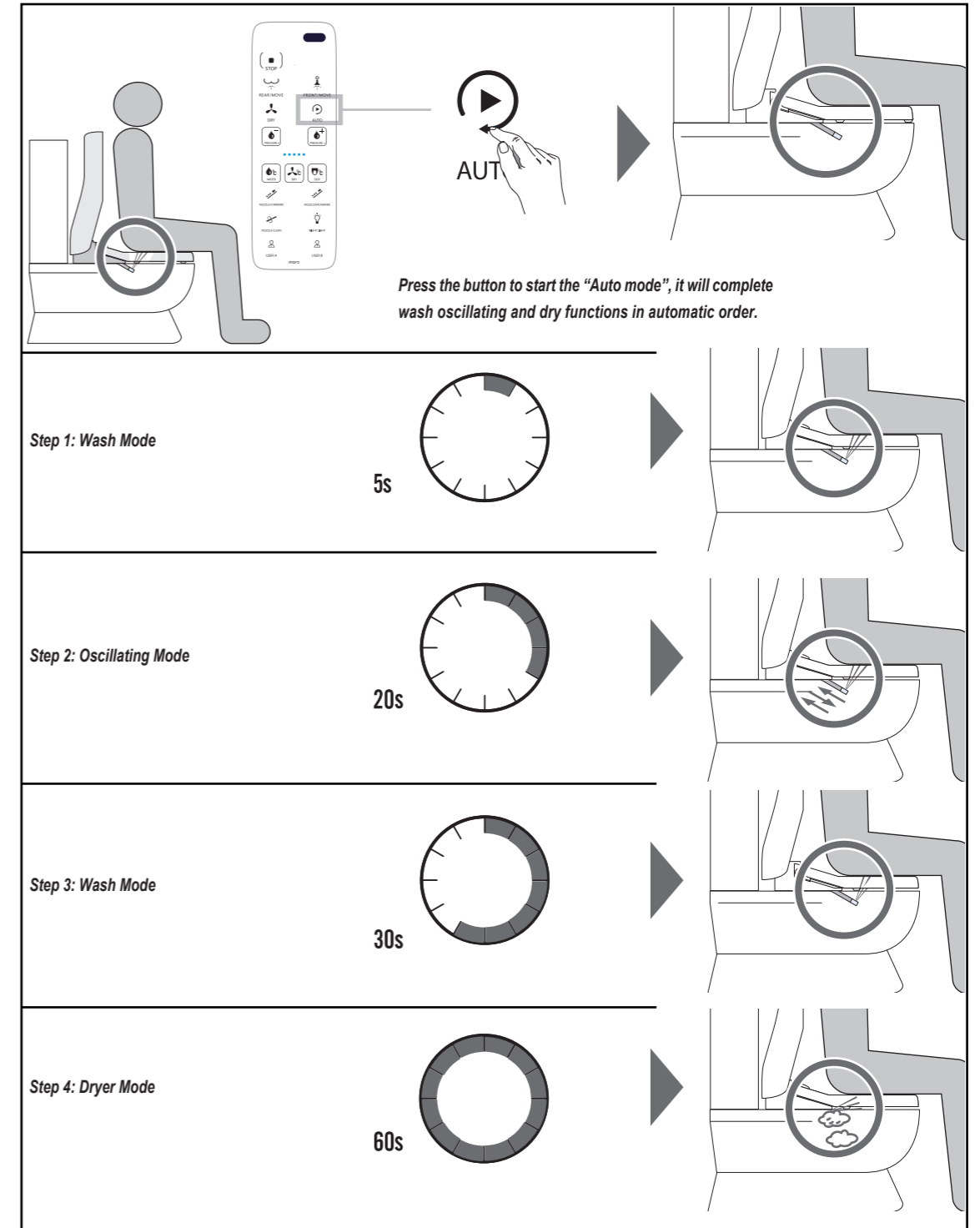
By pressing the power switch again, the light will turn on and the power returns to normal.



WARNING

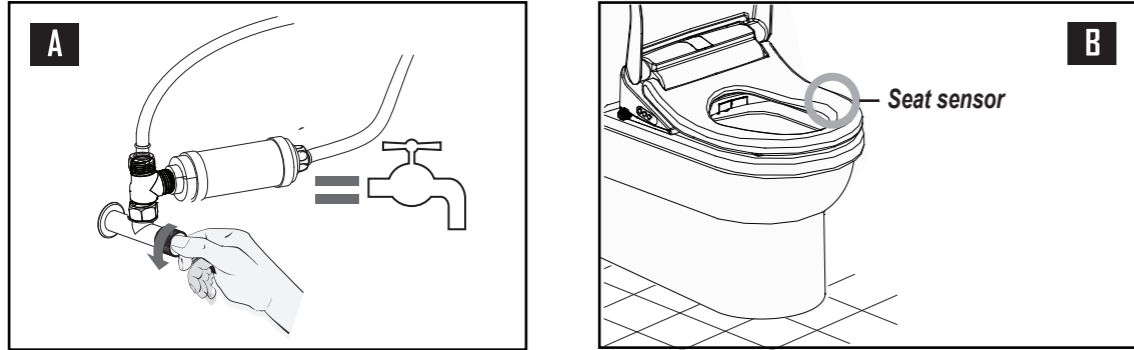
1. Do not forget to make the leakage protection test every month by pressing the leakage test button.
2. Check for electricity leaking when the switch is out of work.
3. The leakage protection unit cannot replace basic security measures.
4. It is prohibited to test the plug by connecting the live wire directly to the ground line.
5. Leakage protection plug only protects the equipment connected to power by this plug.

Auto mode



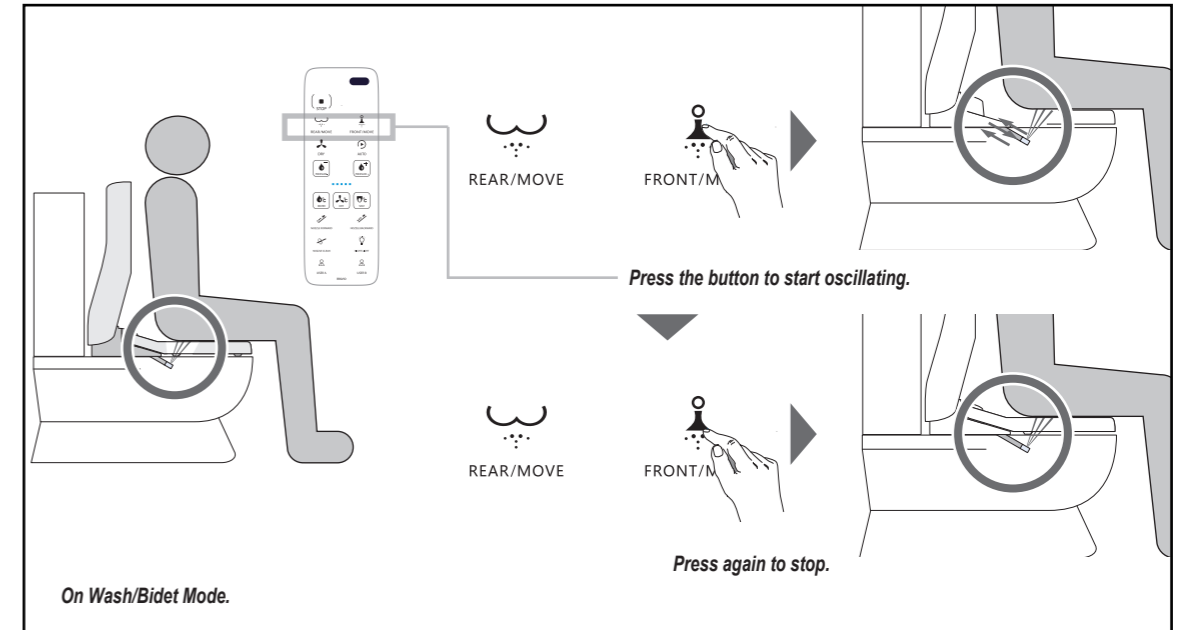
Installation

Functionality test

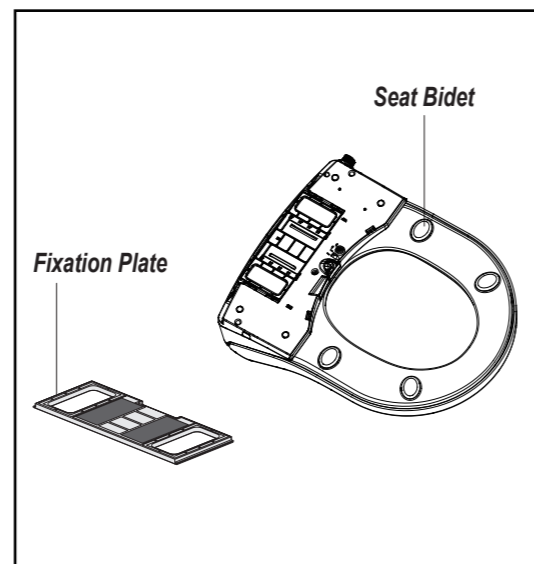
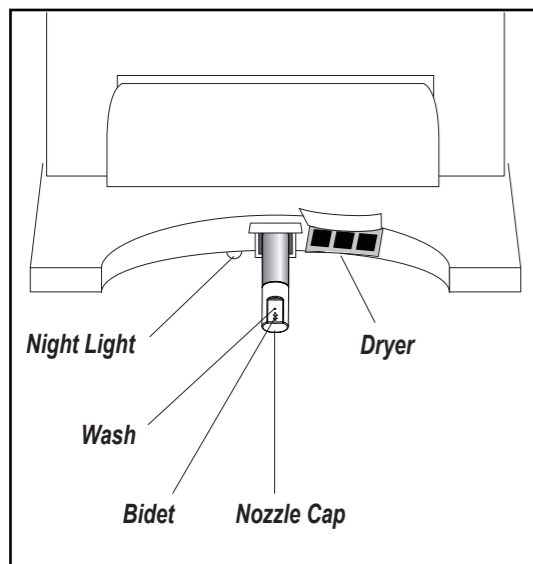
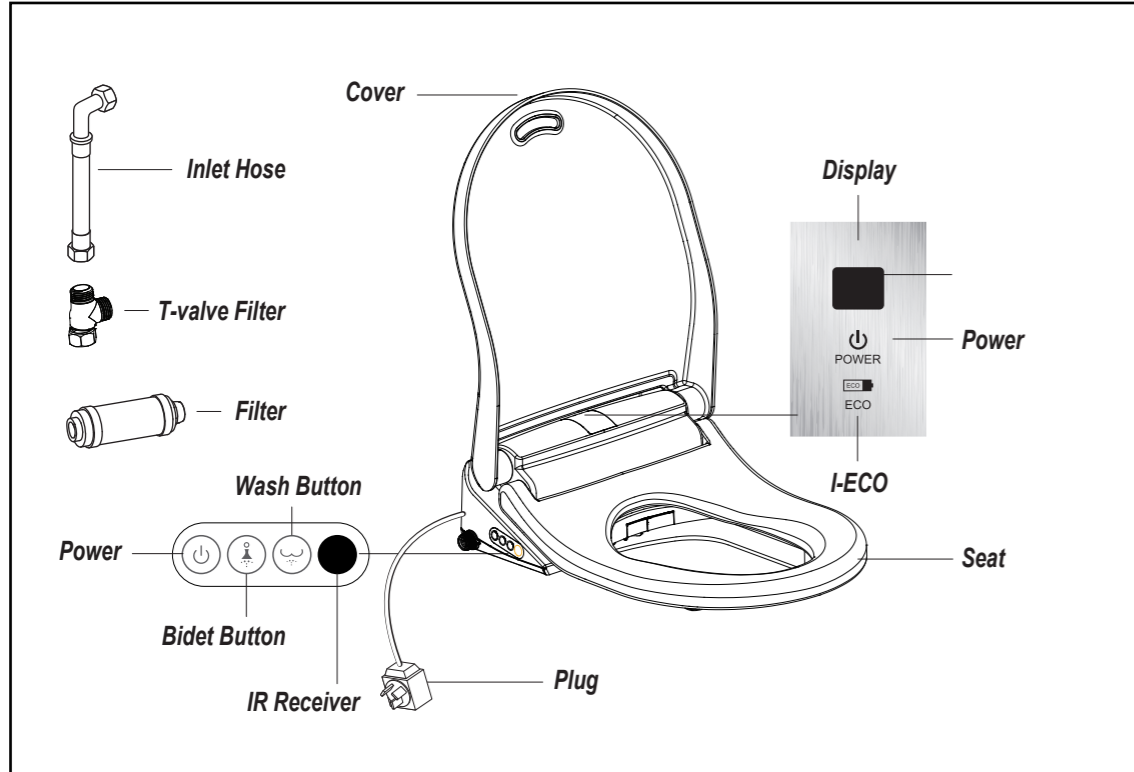


Oscillating and pulsating wash mode

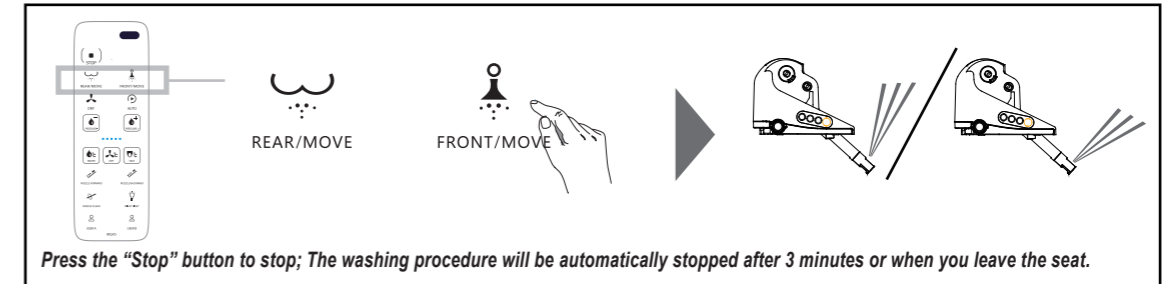
Oscillating Cleaning



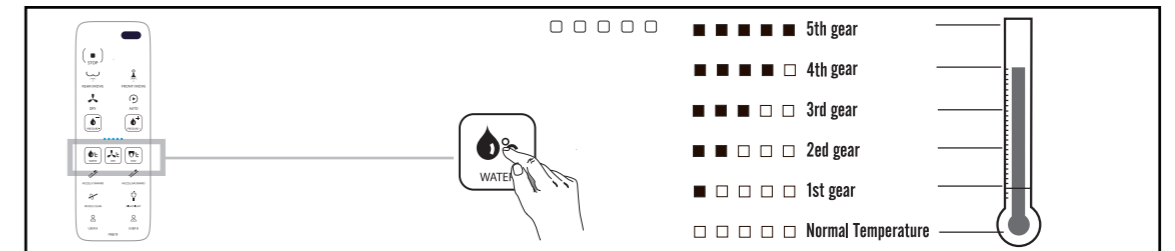
List of installaton parts



Wash / Bidet operation



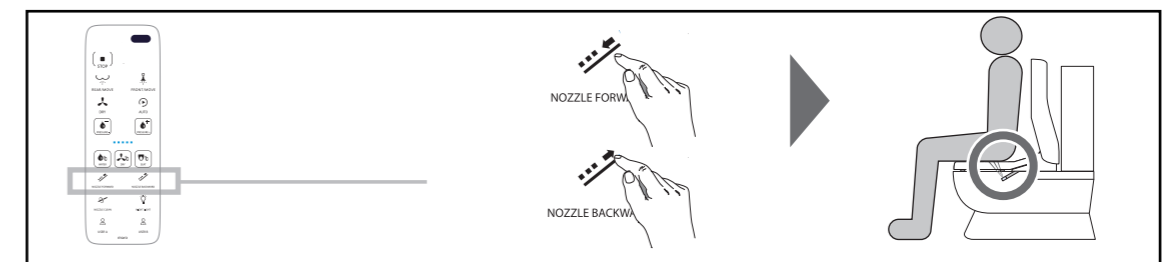
Water temperature setting



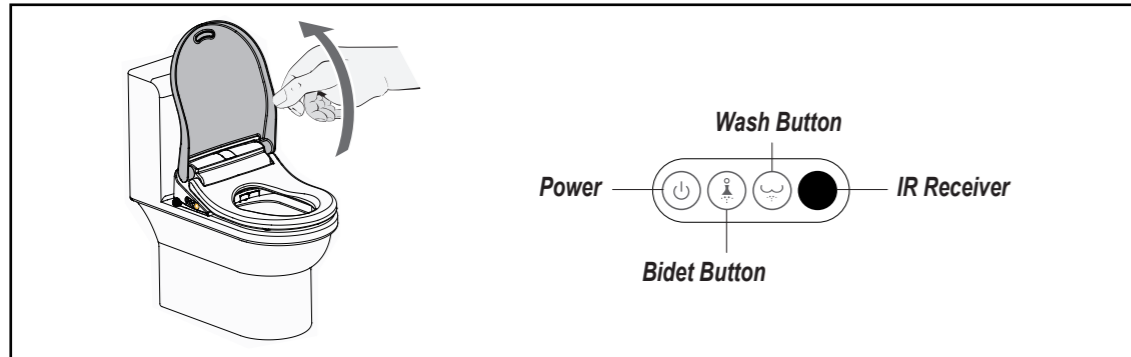
Water Pressure setting



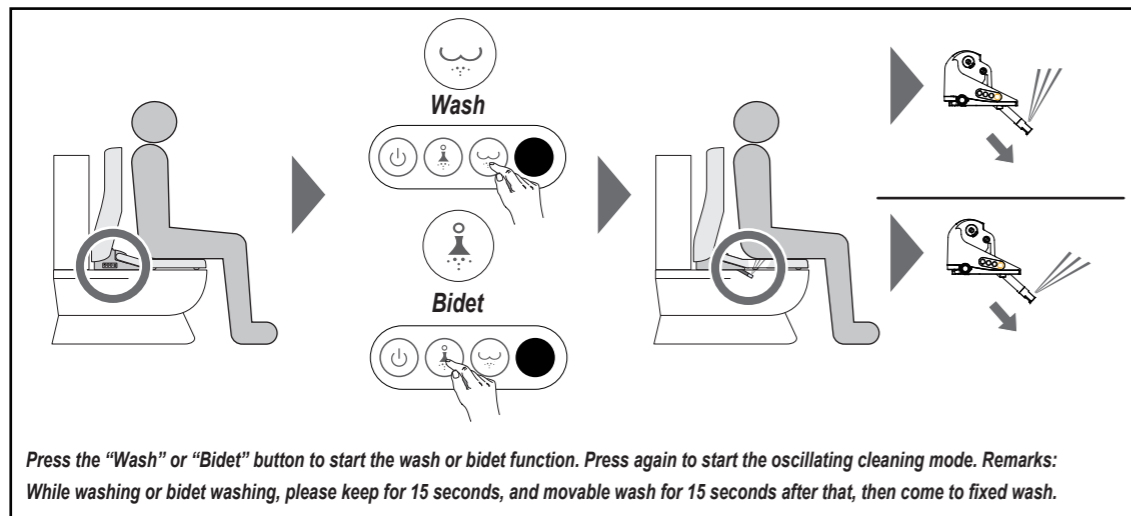
Nozzle position setting



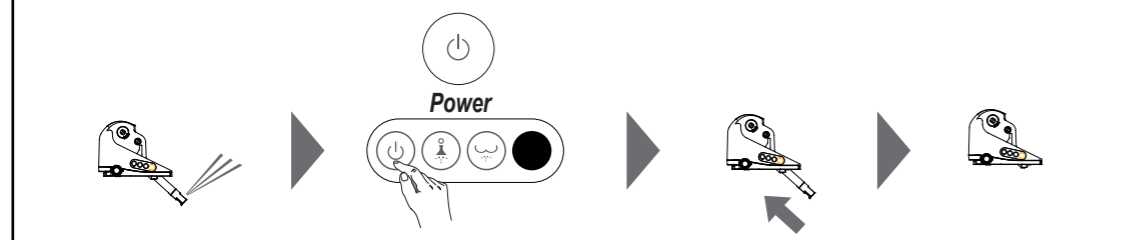
Slide Buttons Overview



Bidet / Wash Setting



Press the "Power" button to stop the function, it will stop automatically 3 minutes later or when you leave the seat. Keep pressing the "Power" button to turn the I-ECO energy saving mode on or off.



Remote control overview

