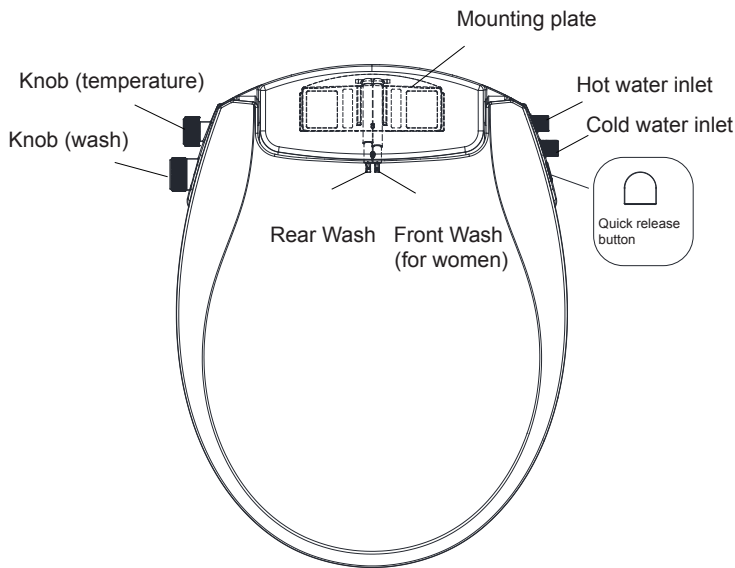
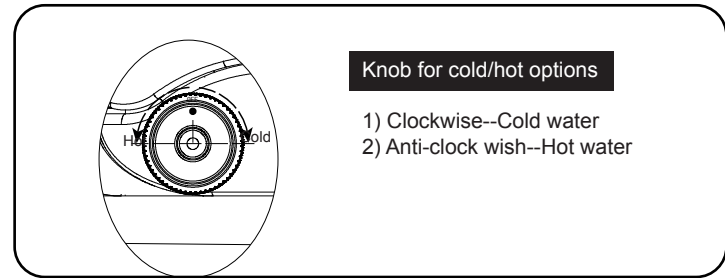


Product introduction(round)

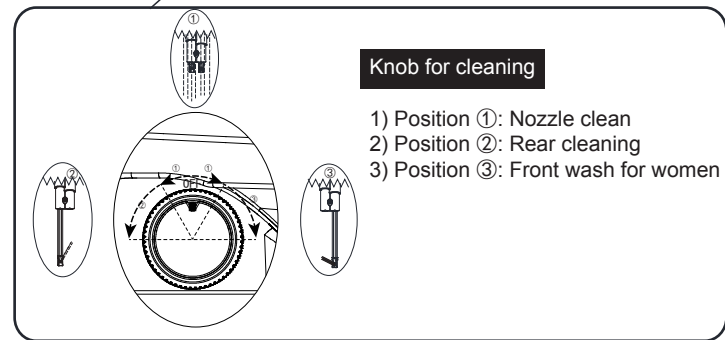
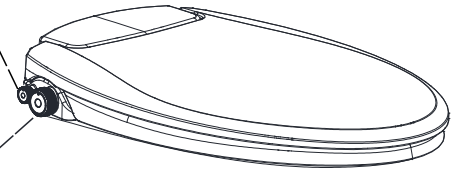


Function introduction



Knob for cold/hot options

- 1) Clockwise--Cold water
- 2) Anti-clock wish--Hot water



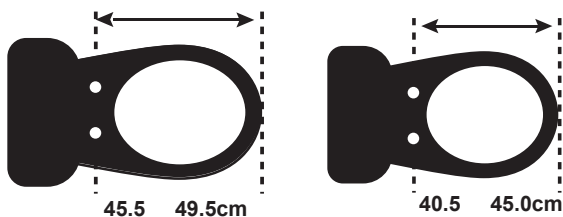
Knob for cleaning

- 1) Position ①: Nozzle clean
- 2) Position ②: Rear cleaning
- 3) Position ③: Front wash for women

TOILET FIT GUIDE:

Use this guide to choose the seat that will best fit your toilet

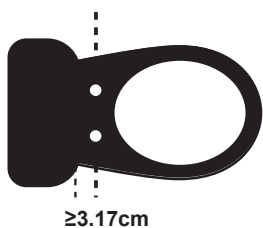
A Measure the distance from the bolt holes to the front of the toilet bowl to determine the shape.



If **A** is 45.5-49.5cm, you need a V Shape Seat

If **A** is 40.5-45cm, you need an O Shape Seat

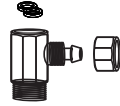
B The distance from the center of the bolt holes to the tank must be at least **3.17cm**



Parts for installation



T-adaptor washers
(for cold water)



T-adaptor washers
(for hot water)



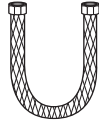
Connector and nut
(for tube)



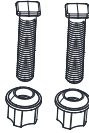
Hot water seal



Tube



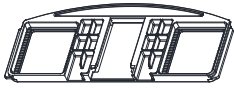
Stainless hose



Plastic bolts&nuts



Top mounting bolts



Mounting plate



Sliding Plates(2pcs)

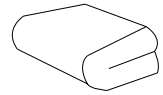


Teflon tape
(optional)

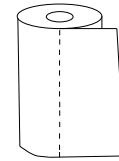
Tools needed for installation



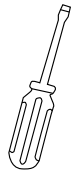
Water



Towel



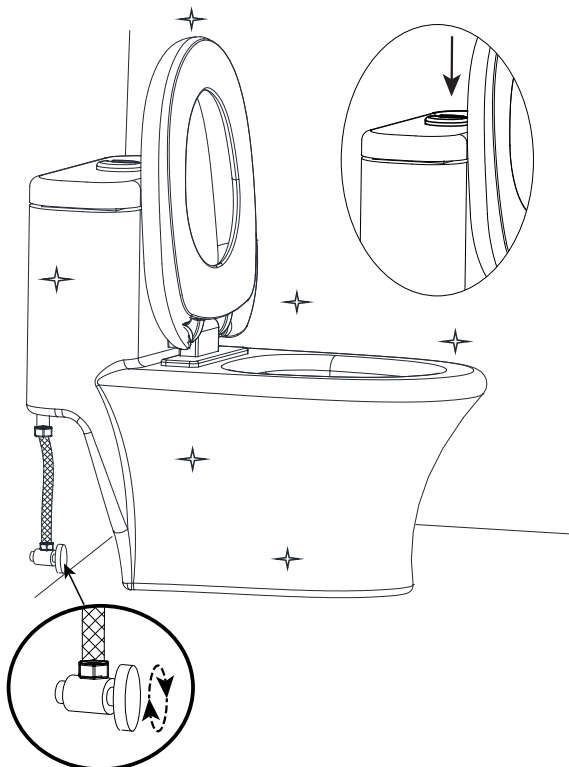
Paper



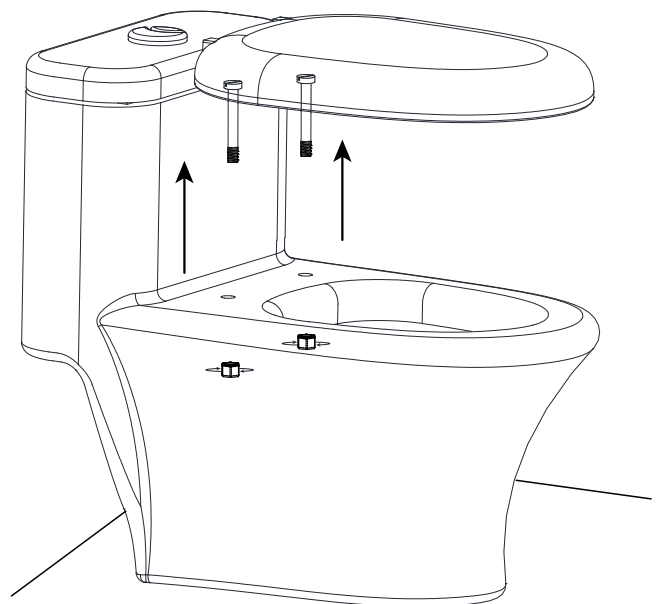
Screwdriver

1. Clean toilet

- 1) Turn the water valve off
- 2) Empty the tank water
- 3) Clean and drain toilet seat

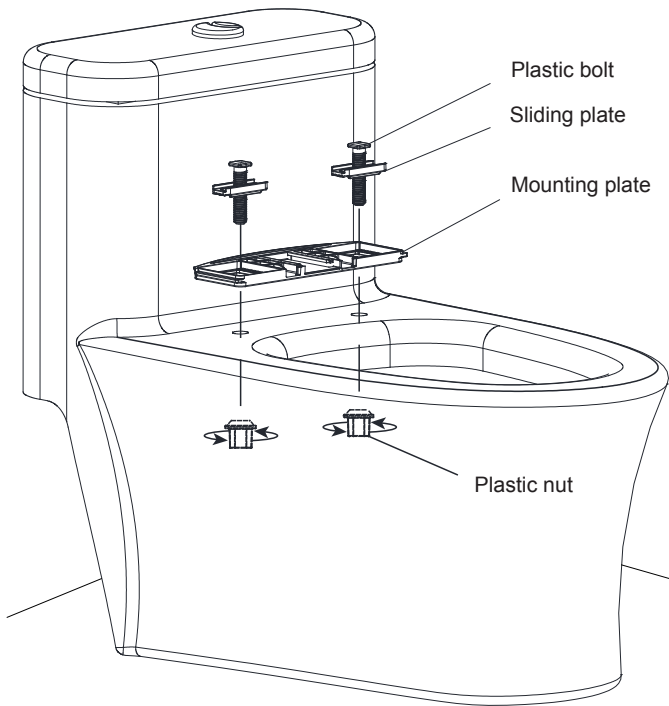


2. Unscrew toilet seat



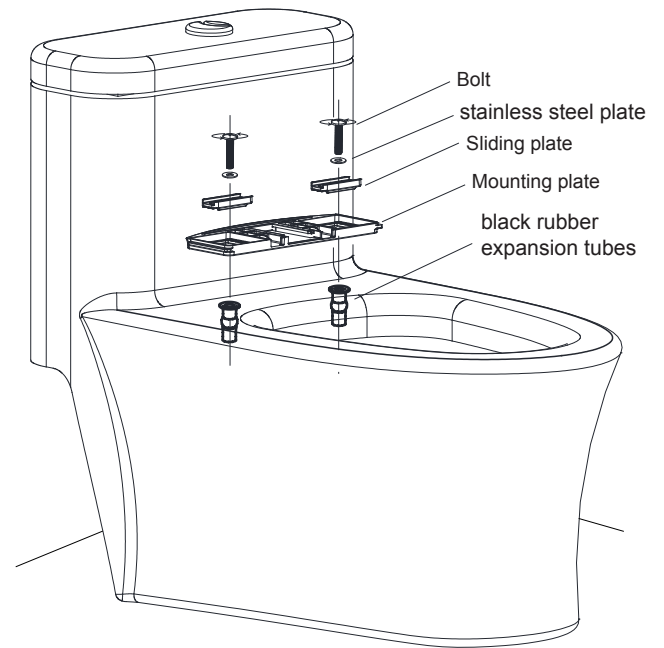
3A. Fix mounting plate on toilet

- 1) Put mounting plate on toilet
- 2) Put sliding plates on mounting plate
- 3) Put bolts and nuts to screw the mounting plate

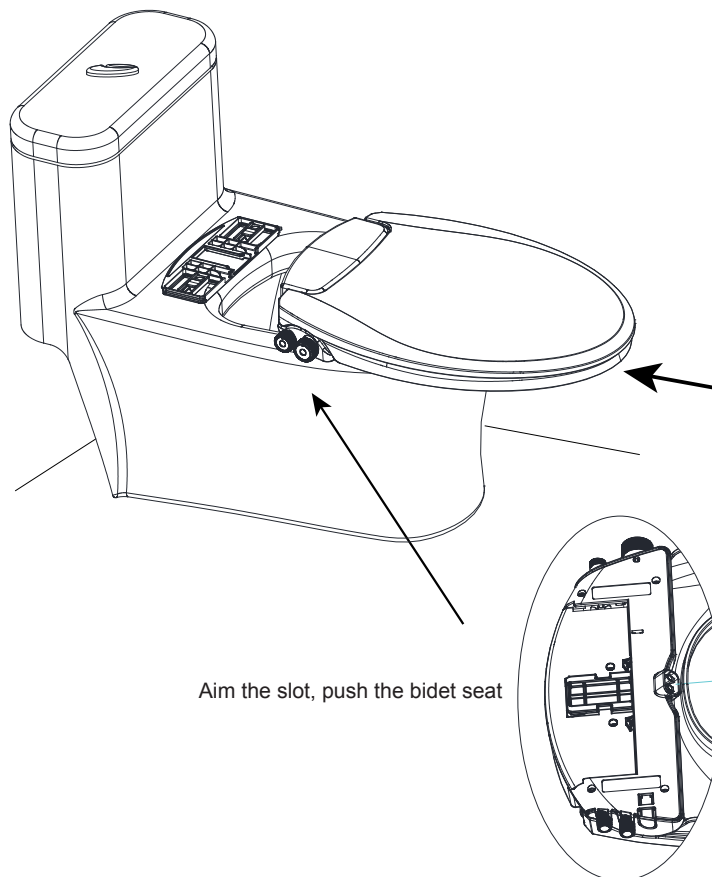


3B. Fix mounting plate on toilet

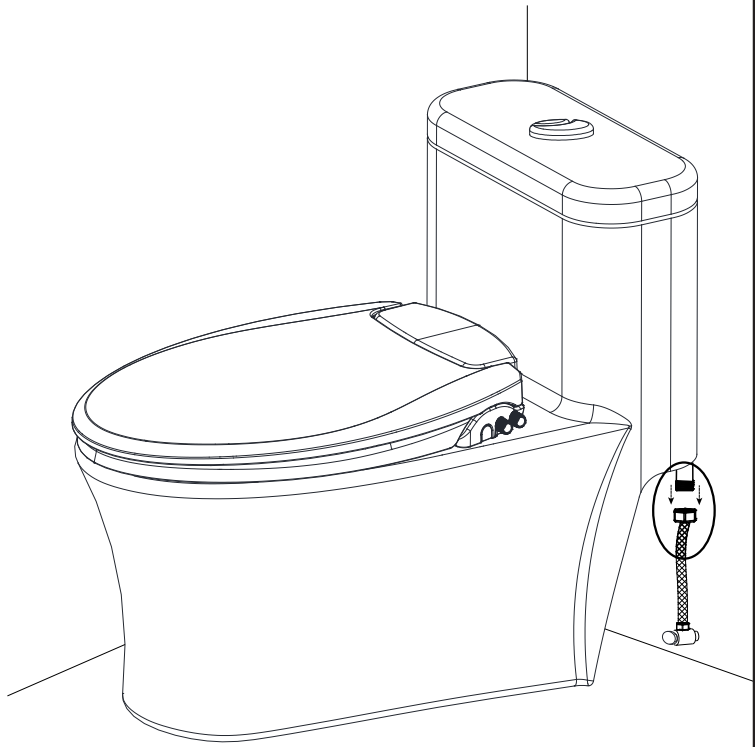
- 1) Insert black rubber expansion tubes to the hole of toilet
- 2) Put the mounting plate on toilet
- 3) Put sliding plates on the mounting plate
- 4) Put the stainless steel plate on the sliding plate
- 5) Put bolts to screw the mounting plate.



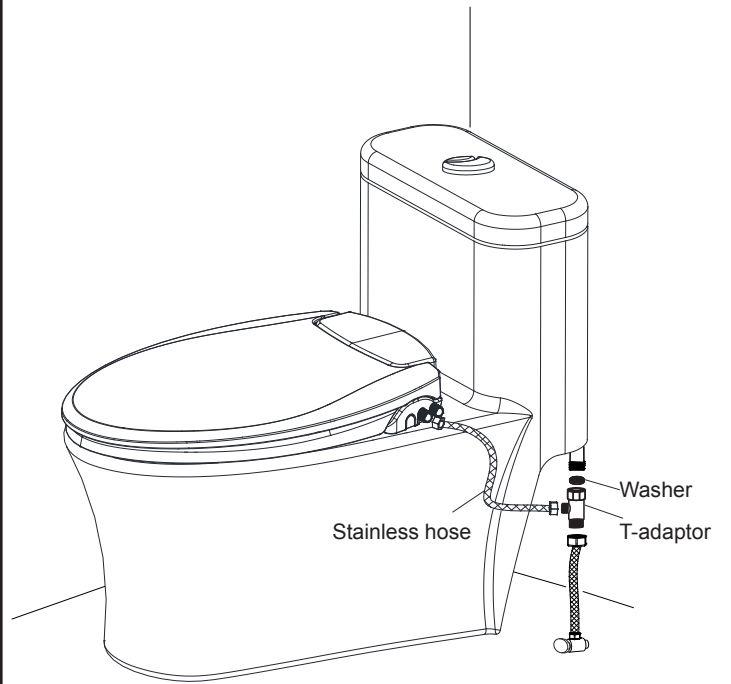
4. Re-install bidet seat



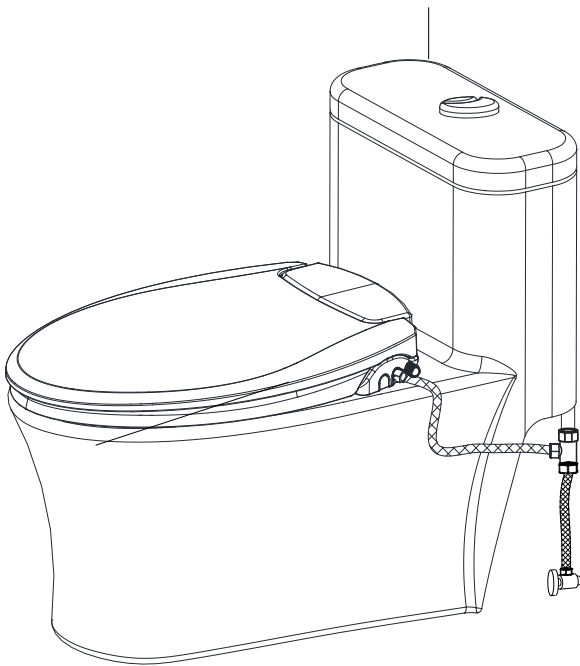
5. Turn cold water supply off



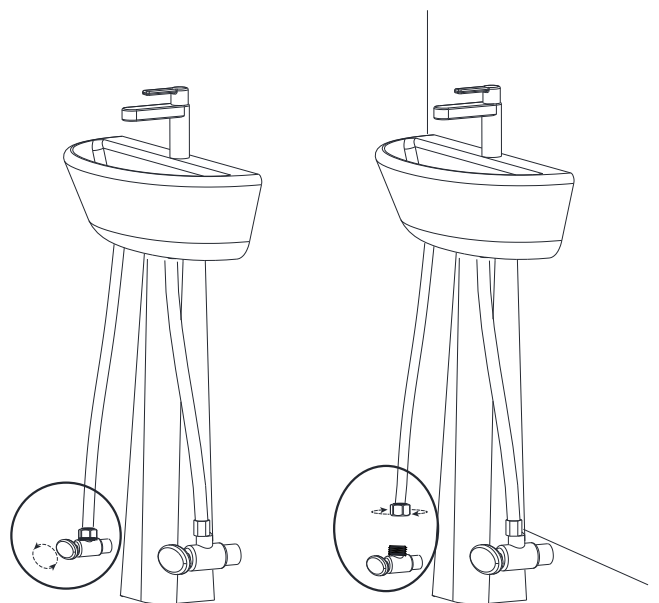
6. Unscrew cold water supply



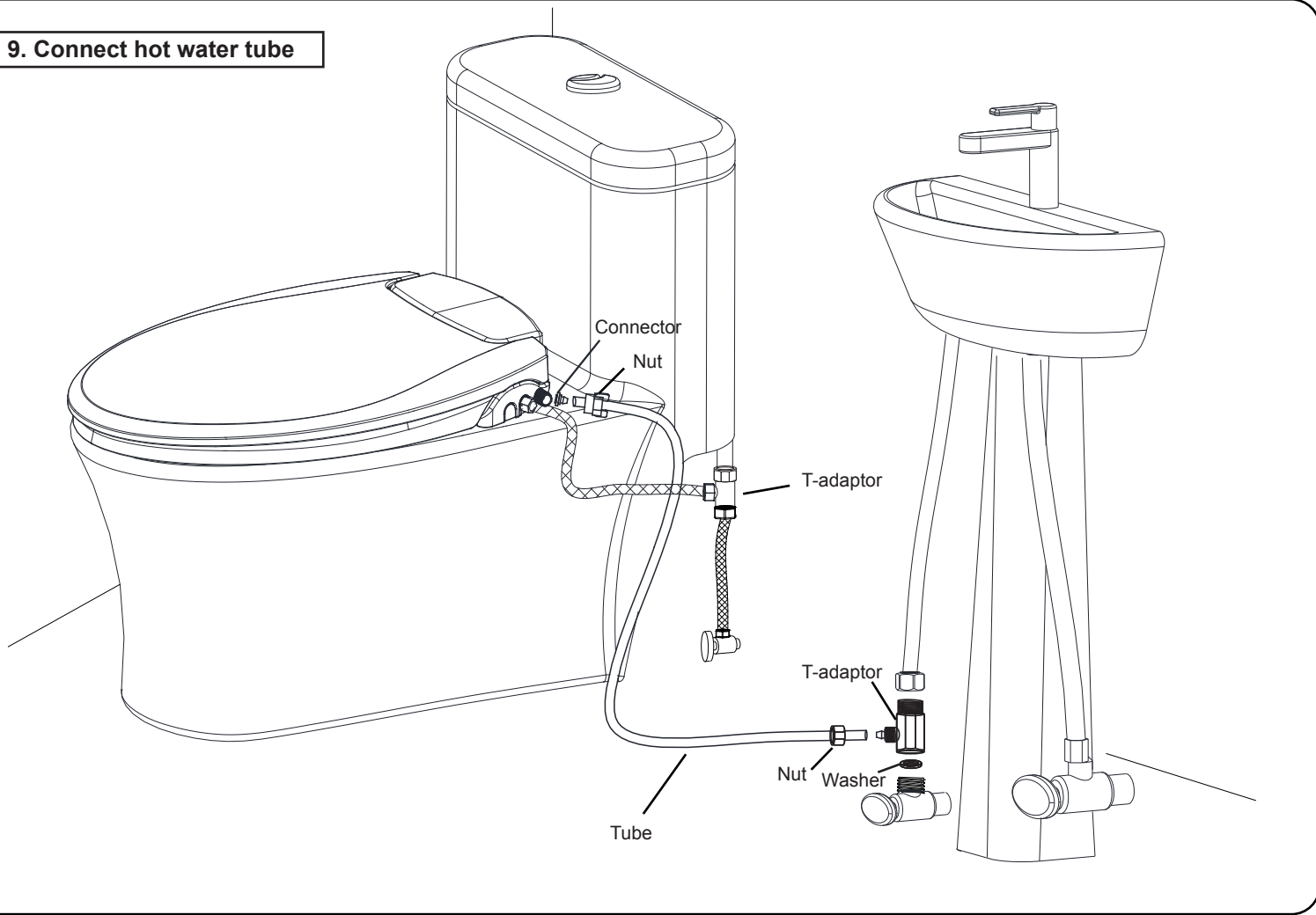
7. Install t-adaptor



8. Turn hot water supply off

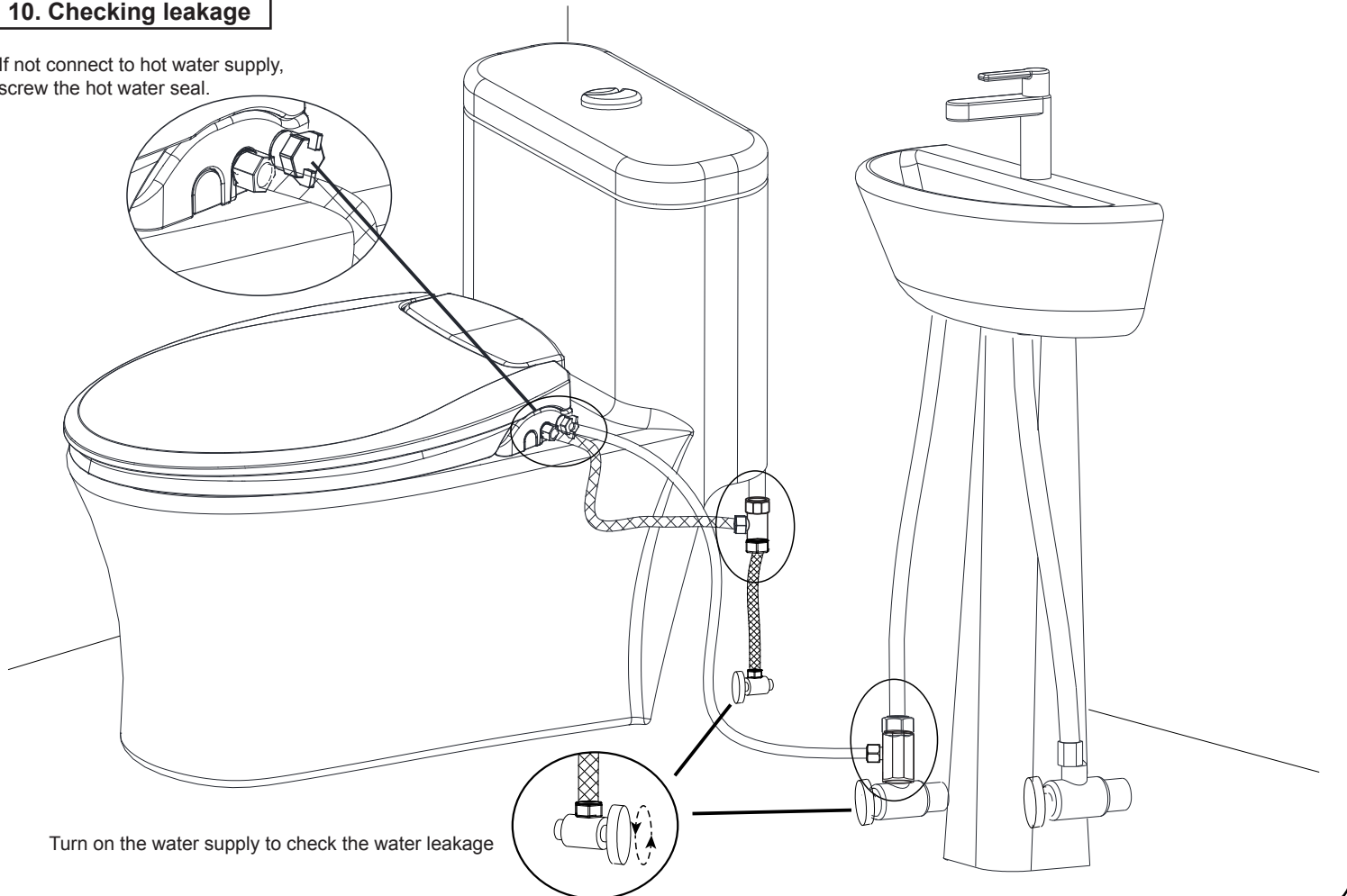


9. Connect hot water tube



10. Checking leakage

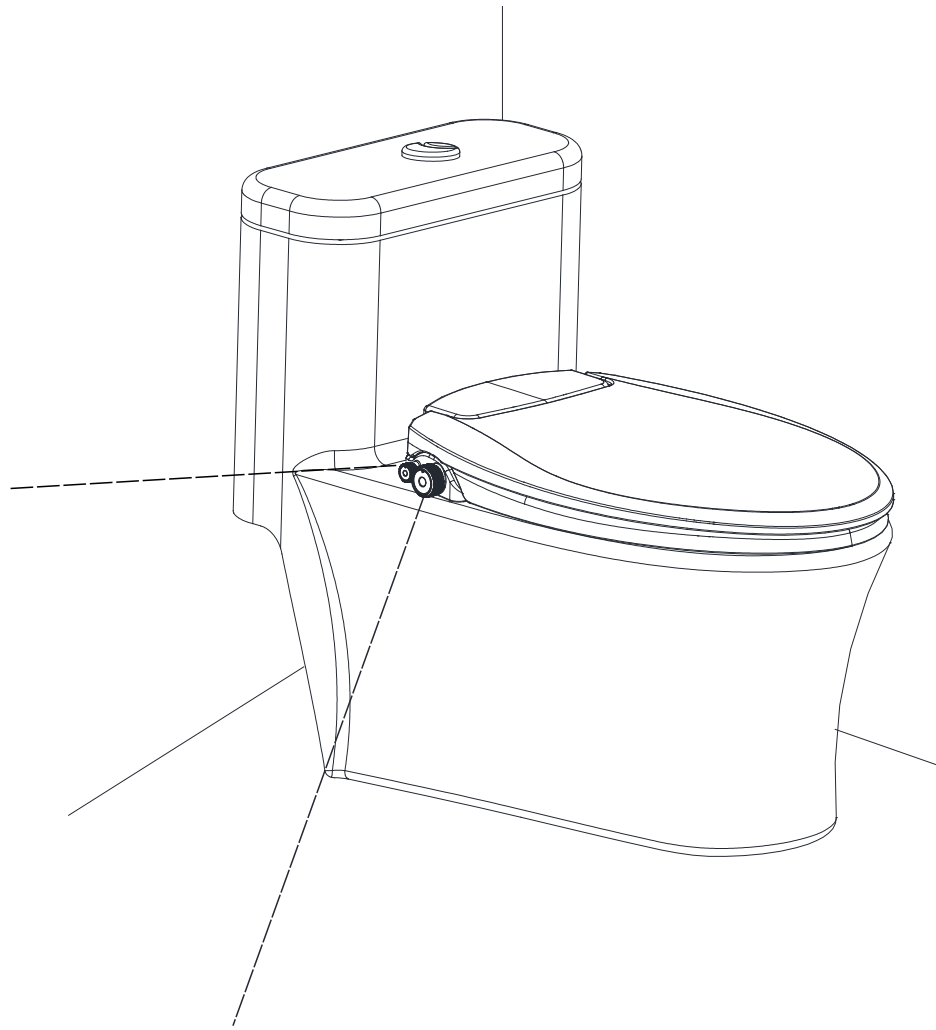
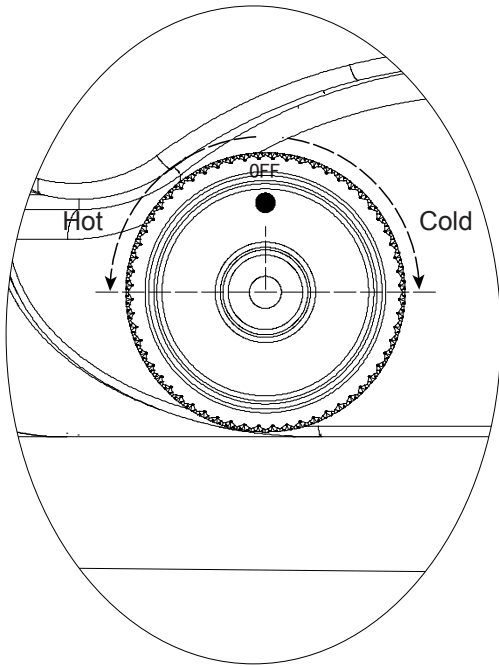
If not connect to hot water supply, screw the hot water seal.



11. Usage introduction

Knob for cold/hot options

- 1) Clockwise--Cold water
- 2) Anti-clock wish--Hot water



Knob for cleaning

- 1) Position ①: Nozzle clean
- 2) Position ②: Rear cleaning
- 3) Position ③: Front wash for women

