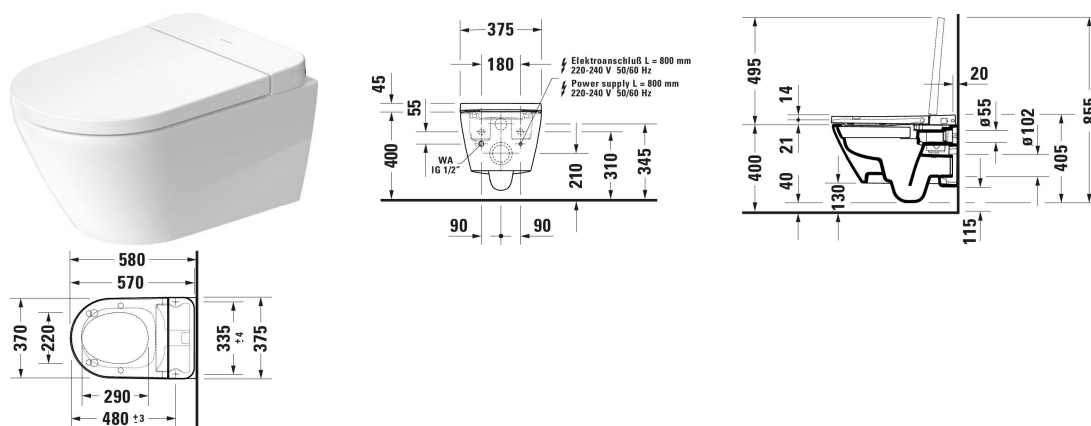


Compact shower toilet # 654000012004300

| < 378 mm > |



Compact shower toilet	Dimension	Weight	Order number
Rearwash, Ladywash, Pulsing shower spray: Oscillating, Adjustable shower jet position level: Infinitely adjustable, Seat temperature level: Infinitely adjustable, Controllable spray jet temperature steps: Infinitely adjustable, Self-cleaning shower nozzle/shower head, Decalcification function, Night light			
Colors			
00 White Alpin			
Variant			
Wall-mounted, 575 mm, Flush construction: Washdown model, Flushing rim: Rimless, White, HygieneGlaze, Seat material type: Thermoplastic, Lid material type: Thermoplastic, Seat heater, Operation type: Remote control, Operation type: Remote control, Energy saving mode: Adjustable, Holiday mode, Rated voltage: 220 - 240 V, Frequency: 50 Hz, Packaging dimensions: 575x405x378 mm, Unified Water Label (UWL) Class: 1, Protection type: IPX4	378x405 mm	38.900 kg	654000012004300
Installation accessories			
Pre-installation set	135 x 105 mm	0.43 kg	005072
Noise reduction set	420 x 390 mm	0.2 kg	005090
Vario Connector Set Shower toilets	220 x 60 mm	0.28 kg	100731
Descaling tablets	38 x 38 mm	0.1 kg	100725
Fixation Suitable for Wall-mounted bidet, Wall-mounted toilet	Ø 12 mm	0.69 kg	006500
Suitable products			
Mechanical actuator plate for WC A1 Plastic, Dual Flush, Flush operation: Mechanical, Flush operation technology: Manual, Type of installation: surface mounted, Flush-mounted, Incl. installation frame, Including mounting kit, Incl. push rod, 217 x 147 mm	217 x 147 mm		WD5001

Compact shower toilet # 654000012004300

|< 378 mm >|

<p>Mechanical actuator plate for WC A1 Glass, Dual Flush, Flush operation technology: Manual, Type of installation: surface mounted, Incl. installation frame, Including mounting kit, Incl. push rod, 230 x 14 mm</p>	230 x 14 mm	WD5002
<p>Electronic actuator plate for WC A2 power supply, Glass, White, Dual Flush, Flush operation: Infra-red controlled, Flush operation technology: Automatic, Touchless, Manual, At the touch of a button, Type of installation: surface mounted, Incl. installation frame, Including mounting kit, Protection type: IPX4, 230 x 10 mm</p>	230 x 10 mm	WD5003
<p>Installation element dry installation for WC Standard 6 l, Powder-coated, Type of installation: In standard lightweight construction, In front of solid wall, Type of mounting: Drywall, Max. projection toilet: 625 mm, Height with feet: 240 mm, Flush operation: Mechanical, Flush operation position: Front, Adjustable flush volumes, Flush type: Dual Flush, insulated against condensation, Throttle for regulating the flush flow, Self-supporting, Suitable for panelling with plasterboards, Small flushing volume: 3 l, Large flushing volume: 6 l, 500 x 155 mm</p>	500 x 155 mm	WD1011
<p>Installation element dry installation for WC Hygienic flush, 6 l, Powder-coated, Type of installation: In standard lightweight construction, In front of solid wall, Type of mounting: Drywall, Max. projection toilet: 625 mm, Height with feet: 240 mm, Flush operation: Electronic, Flush operation position: Front, Adjustable flush volumes, Flush type: Dual Flush, insulated against condensation, Throttle for regulating the flush flow, Self-supporting, Suitable for panelling with plasterboards, Small flushing volume: 3 l, Large flushing volume: 6 l, 500 x 155 mm</p>	500 x 155 mm	WD1013
<p>Installation element dry installation for WC Odour extraction, Fan activation: Automatic, Manual, At the touch of a button, Touchless, Hygienic flush, 6 l, Powder-coated, Type of installation: In standard lightweight construction, In front of solid wall, Type of mounting: Drywall, Max. projection toilet: 625 mm, Height with feet: 240 mm, Flush operation: Electronic, Flush operation position: Front, Adjustable flush volumes, Flush type: Dual Flush, insulated against condensation, Throttle for regulating the flush flow, Self-supporting, Suitable for panelling with plasterboards, Small flushing volume: 3 l, Large flushing volume: 6 l, 500 x 155 mm</p>	500 x 155 mm	WD1014
<p>Installation element dry installation for WC Standard 6 l, Powder-coated, Type of installation: In standard lightweight construction, In front of solid wall, Type of mounting: Drywall, Max. projection toilet: 625 mm, Height with feet: 240 mm, Flush operation: Mechanical, Flush operation position: FrontTop, Adjustable flush volumes, Flush type: Dual Flush, insulated against condensation, Throttle for regulating the flush flow, Self-supporting, Suitable for panelling with plasterboards, Small flushing volume: 3 l, Large flushing volume: 6 l, 500 x 155 mm</p>	500 x 155 mm	WD1016

Compact shower toilet # 654000012004300

|< 378 mm >|

<p>Installation element dry installation for WC Basic 6 l, Powder-coated, Type of installation: In standard lightweight construction, In front of solid wall, Type of mounting: Drywall, Max. projection toilet: 625 mm, Height with feet: 240 mm, Flush operation: Mechanical, Flush operation position: FrontTop, Adjustable flush volumes, Flush type: Dual Flush, insulated against condensation, Throttle for regulating the flush flow, Self-supporting, Suitable for panelling with plasterboards, Small flushing volume: 3 l, Large flushing volume: 6 l, 500 x 155 mm</p>	500 x 155 mm	WD1017
<p>Installation element dry installation for WC Standard 6 l, Powder-coated, Type of installation: In standard lightweight construction, In front of solid wall, Type of mounting: Drywall, Max. projection toilet: 625 mm, Height with feet: 240 mm, Flush operation: Mechanical, Flush operation position: FrontTop, Adjustable flush volumes, Flush type: Dual Flush, insulated against condensation, Throttle for regulating the flush flow, Self-supporting, Suitable for panelling with plasterboards, Small flushing volume: 3 l, Large flushing volume: 6 l, 500 x 155 mm</p>	500 x 155 mm	WD1018
<p>Installation element dry installation for WC Basic 6 l, Powder-coated, Type of installation: In standard lightweight construction, In front of solid wall, Type of mounting: Drywall, Max. projection toilet: 625 mm, Height with feet: 240 mm, Flush operation: Mechanical, Flush operation position: FrontTop, Adjustable flush volumes, Flush type: Dual Flush, insulated against condensation, Throttle for regulating the flush flow, Self-supporting, Suitable for panelling with plasterboards, Small flushing volume: 3 l, Large flushing volume: 6 l, 500 x 155 mm</p>	500 x 155 mm	WD1019

All drawings contain the necessary measurements which are subject to standard tolerances. They are stated in mm and are non-binding. Exact measurements, in particular for customised installation scenarios, can only be taken from the finished piece.